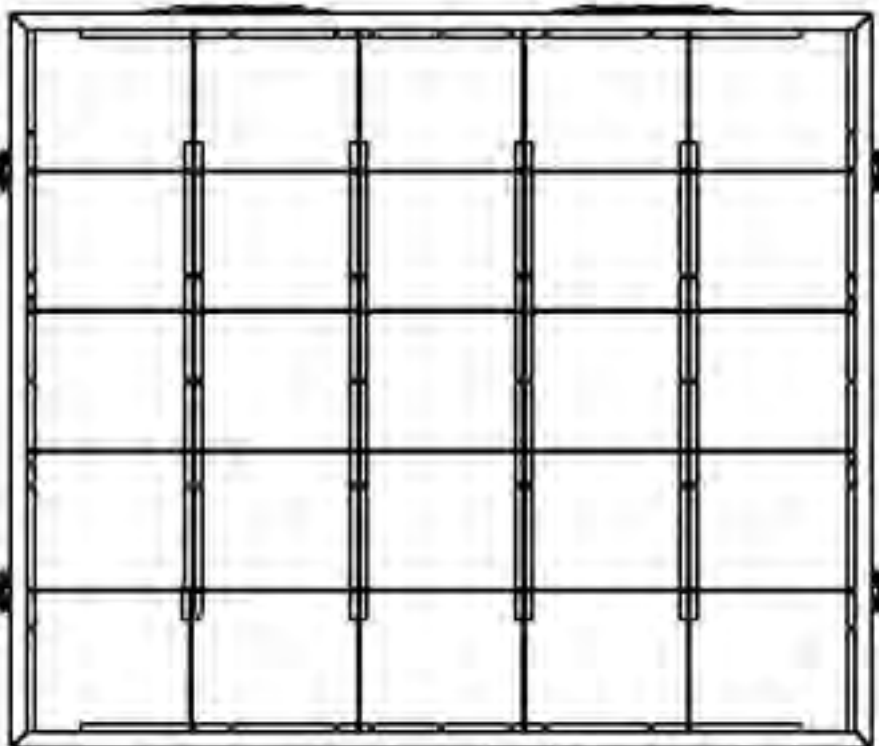

PARTS SUPPORTING INFORMATION

**FPU® SYSTEMS OPERATION MANUAL
(INCLUDING REPAIR PARTS & SPECIAL TOOL LIST)
LIGHT EXPEDITIONARY MODULE (LEM)
BOH FPU Field Pack-up Units**

DRAWER DIVIDERS



FIGURES 34a, 34b, 34c, 34d, 34e and 34f DIVIDER KITS

4" DRAWER DIVIDER KITS

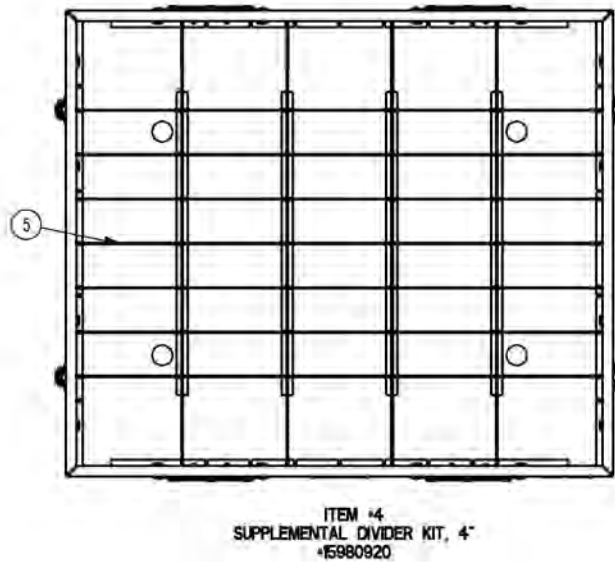
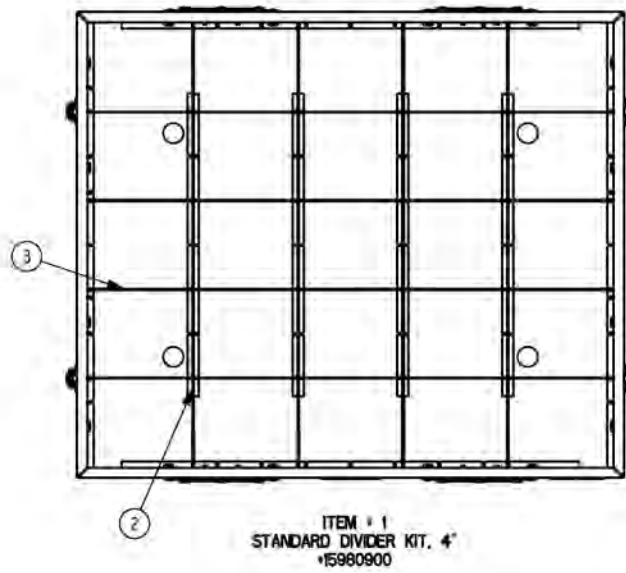


FIGURE 34a 4" DRAWER DIVIDER KITS

6" DRAWER DIVIDER KITS

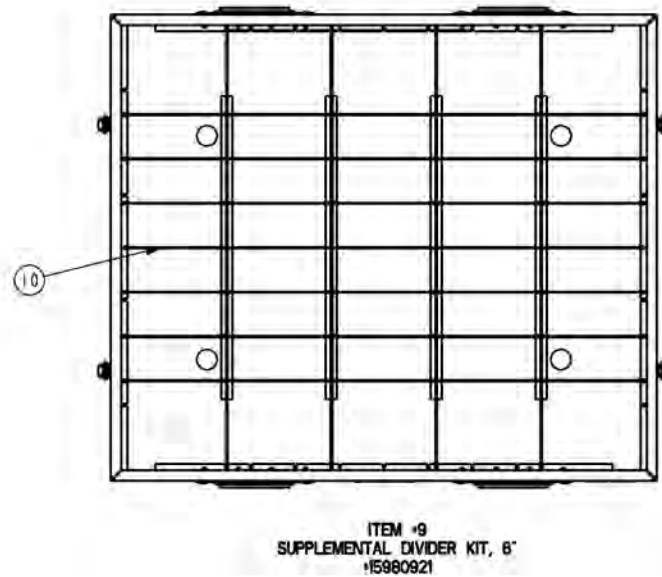
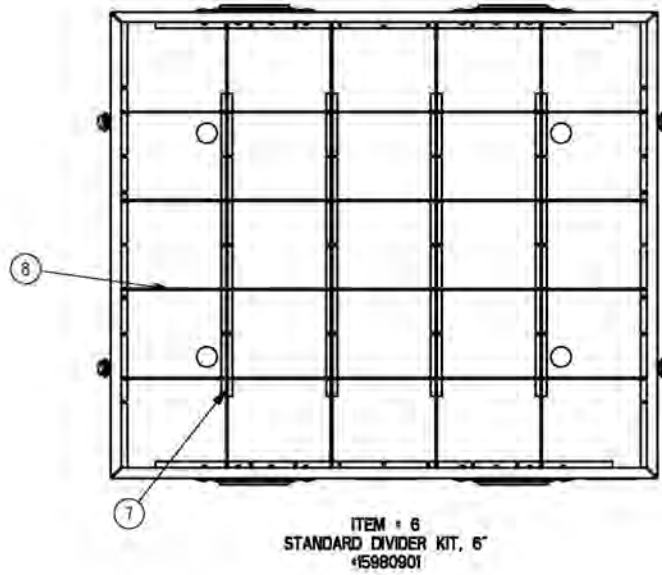


FIGURE 34b 6" DRAWER DIVIDER KITS

8" DRAWER DIVIDER KITS

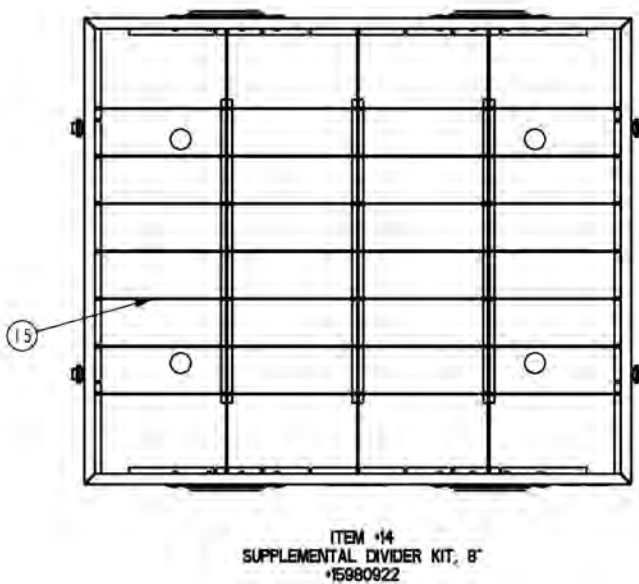
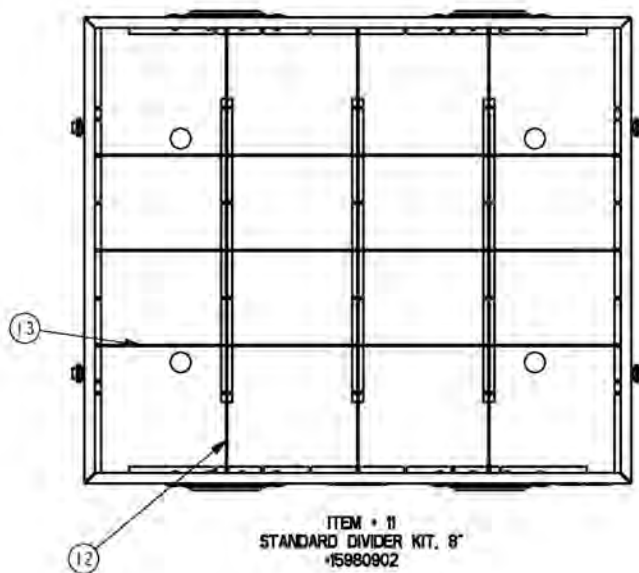


FIGURE 34c 8" DRAWER DIVIDER KITS

10" DRAWER DIVIDER KITS

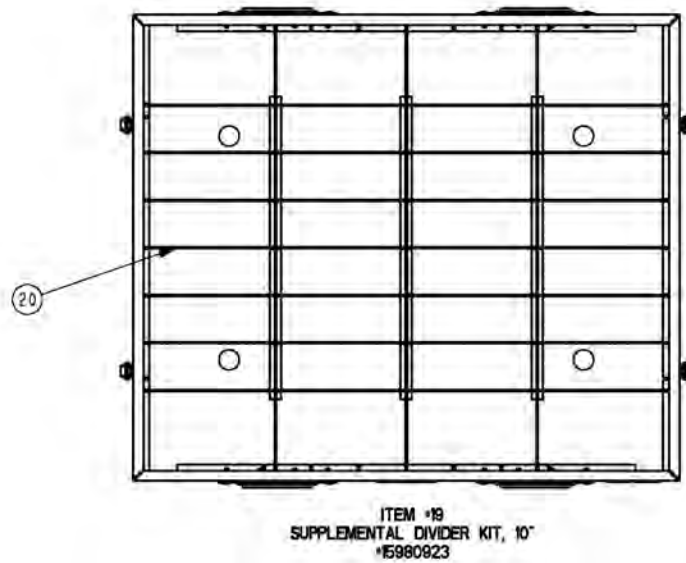
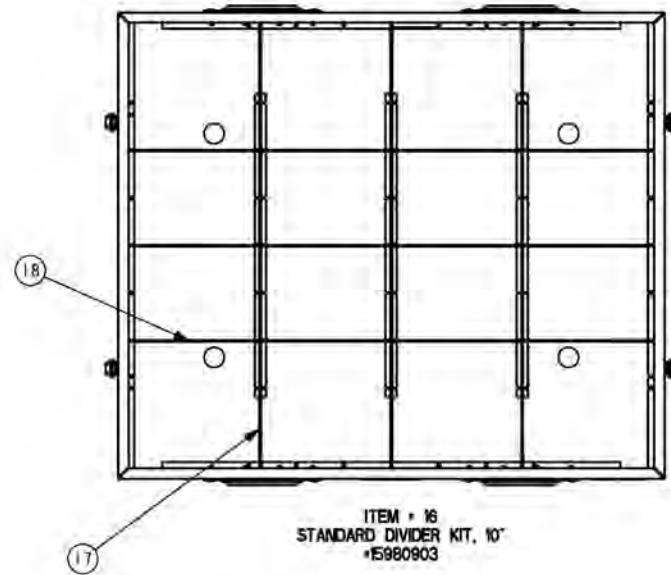
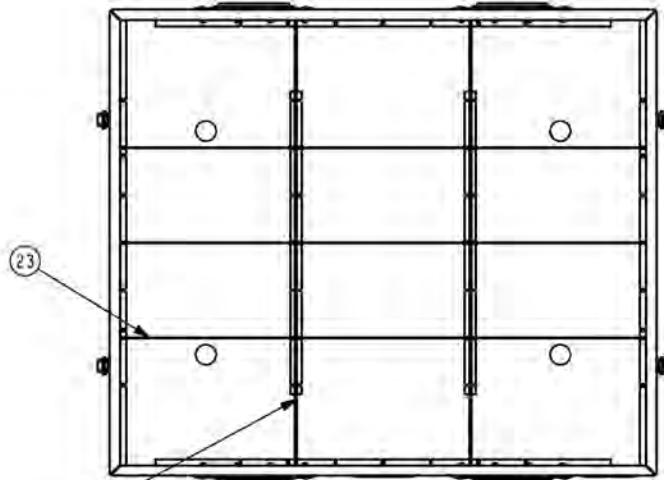
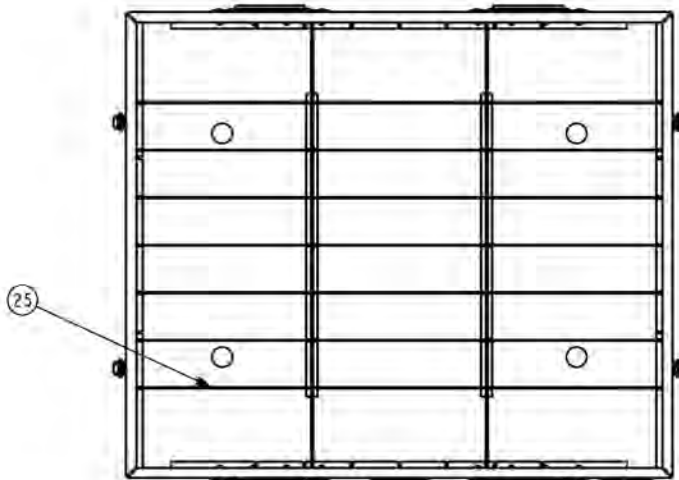


FIGURE 34d 10" DRAWER DIVIDER KITS

12" DRAWER DIVIDER KITS



ITEM *21
STANDARD DIVIDER KIT, 12"
*15980904



ITEM *24
SUPPLEMENTAL DIVIDER KIT, 12"
*15980924

FIGURE 34e 12" DRAWER DIVIDER KITS

16" DRAWER DIVIDER KITS

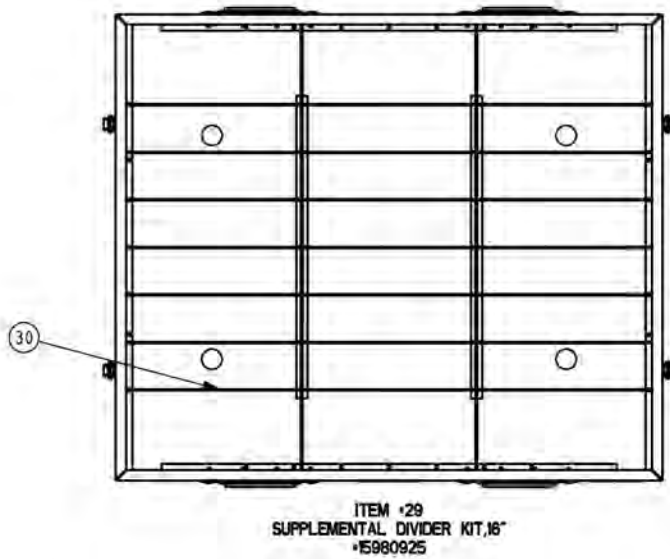
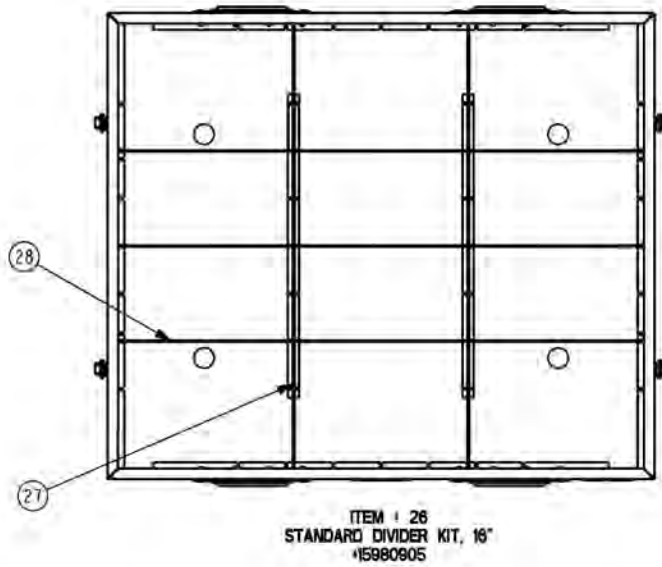


FIGURE 34f 16" DRAWER DIVIDER KIT

**FIGURES 34a, 34b, 34c, 34d, 34e and 34f GROUP 08
DIVIDER KITS**

ITEM	NSN	CAGE	PART NO.	DESCRIPTION	QTY
1	NOT ASSIGNED	INSG3	15980900	STANDARD DIVIDER KIT, 4"	1
2	NOT ASSIGNED	INSG3	NOT ASSIGNED	DIVIDER, 4" DRAWER	4
3	NOT ASSIGNED	INSG3	NOT ASSIGNED	INSERT, 4" DRAWER	20
4	NOT ASSIGNED	INSG3	15980920	SUPPLEMENTAL INSERT KIT, 4"	1
5	NOT ASSIGNED	INSG3	NOT ASSIGNED	INSERT, 4" DRAWER	15
6	NOT ASSIGNED	INSG3	15980901	STANDARD DIVIDER KIT, 6"	1
7	NOT ASSIGNED	INSG3	NOT ASSIGNED	DIVIDER, 6" DRAWER	4
8	NOT ASSIGNED	INSG3	NOT ASSIGNED	INSERT, 6" DRAWER	20
9	NOT ASSIGNED	INSG3	15980921	SUPPLEMENTAL INSERT KIT, 6"	1
10	NOT ASSIGNED	INSG3	NOT ASSIGNED	INSERT, 6" DRAWER	15
11	NOT ASSIGNED	INSG3	15980902	STANDARD DIVIDER KIT, 8"	1
12	NOT ASSIGNED	INSG3	NOT ASSIGNED	DIVIDER, 8" DRAWER	3
13	NOT ASSIGNED	INSG3	NOT ASSIGNED	INSERT, 8" DRAWER	12
14	NOT ASSIGNED	INSG3	15980922	SUPPLEMENTAL INSERT KIT, 8"	1
15	NOT ASSIGNED	INSG3	NOT ASSIGNED	INSERT, 8" DRAWER	16
16	NOT ASSIGNED	INSG3	15980903	STANDARD DIVIDER KIT, 10"	1
17	NOT ASSIGNED	INSG3	NOT ASSIGNED	DIVIDER, 10" DRAWER	3
18	NOT ASSIGNED	INSG3	NOT ASSIGNED	INSERT, 10" DRAWER	12
19	NOT ASSIGNED	INSG3	15980923	SUPPLEMENTAL INSERT KIT, 10"	1
20	NOT ASSIGNED	INSG3	NOT ASSIGNED	DIVIDER, 10" DRAWER	16
21	NOT ASSIGNED	INSG3	15980904	STANDARD DIVIDER KIT, 12"	1
22	NOT ASSIGNED	INSG3	NOT ASSIGNED	DIVIDER, 12" DRAWER	2
23	NOT ASSIGNED	INSG3	NOT ASSIGNED	INSERT, 12" DRAWER	9
24	NOT ASSIGNED	INSG3	15980924	SUPPLEMENTAL INSERT KIT, 12"	1
25	NOT ASSIGNED	INSG3	NOT ASSIGNED	INSERT, 12" DRAWER	12
26	NOT ASSIGNED	INSG3	15980905	STANDARD DIVIDER KIT, 16"	1
27	NOT ASSIGNED	INSG3	NOT ASSIGNED	DIVIDER, 16" DRAWER	2
28	NOT ASSIGNED	INSG3	NOT ASSIGNED	INSERT, 16" DRAWER	9
29	NOT ASSIGNED	INSG3	15980925	SUPPLEMENTAL INSERT KIT, 16"	1
30	NOT ASSIGNED	INSG3	NOT ASSIGNED	INSERT, 16" DRAWER	12

END of FIGURES 34a, 34b, 34c, 34d, 34e and 34f

END OF WORK PACKAGE

PARTS SUPPORTING INFORMATION

**FPU[®] SYSTEMS OPERATION MANUAL
(INCLUDING REPAIR PARTS & SPECIAL TOOL LIST)
LIGHT EXPEDITIONARY MODULE (LEM)
BOH FPU Field Pack-up Units**

LEM CABINET BASE and TWIST LOCK

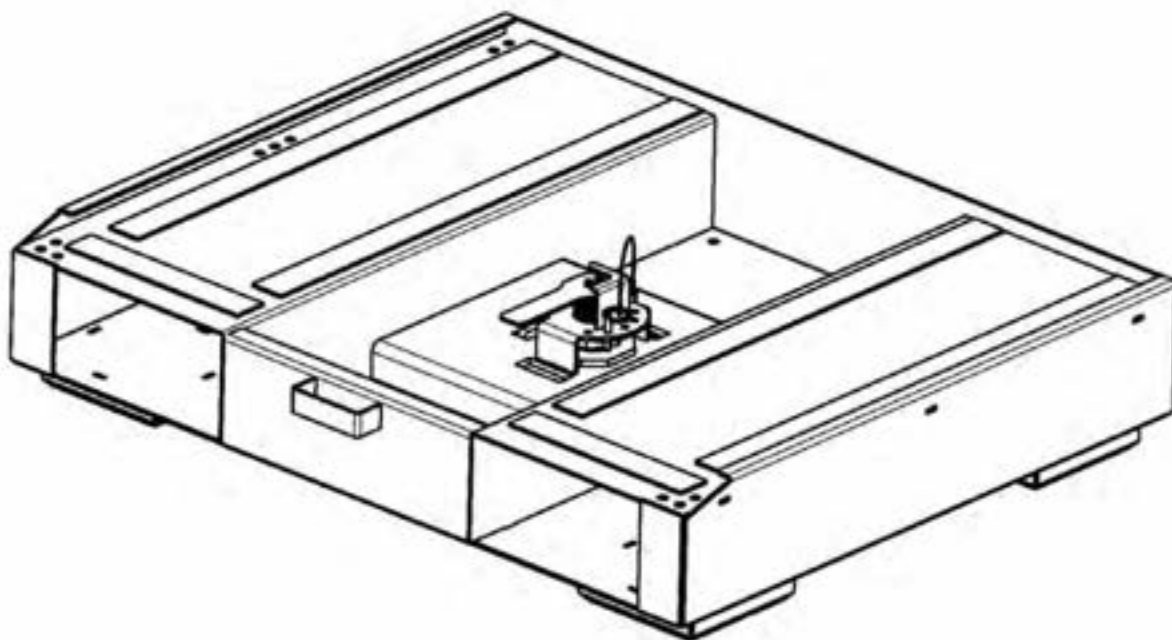


FIGURE 35a and 35b LEM CABINET BASE and TWIST LOCK

LEM CABINET BASE with TWIST LOCK

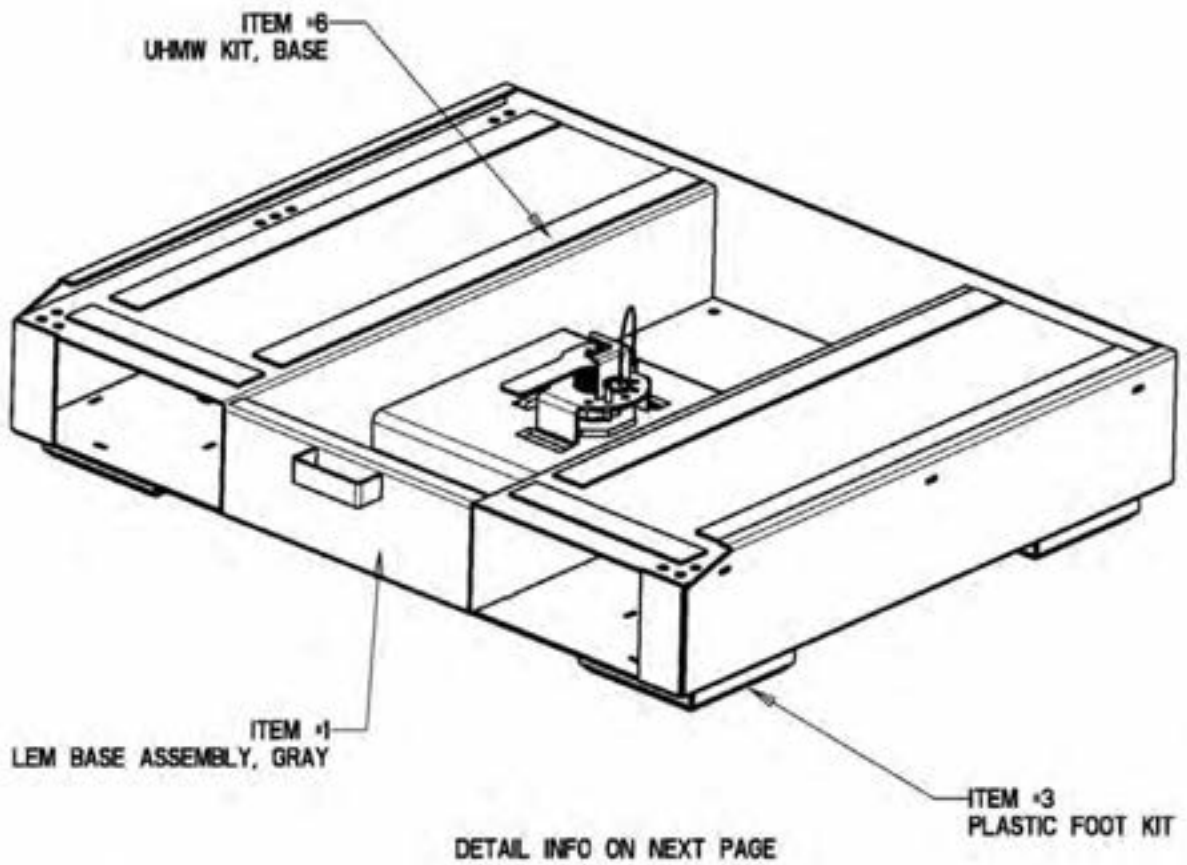


FIGURE 35a LEM CABINET BASE with TWIST LOCK

PLASTIC FOOT and UHMW STRIPS

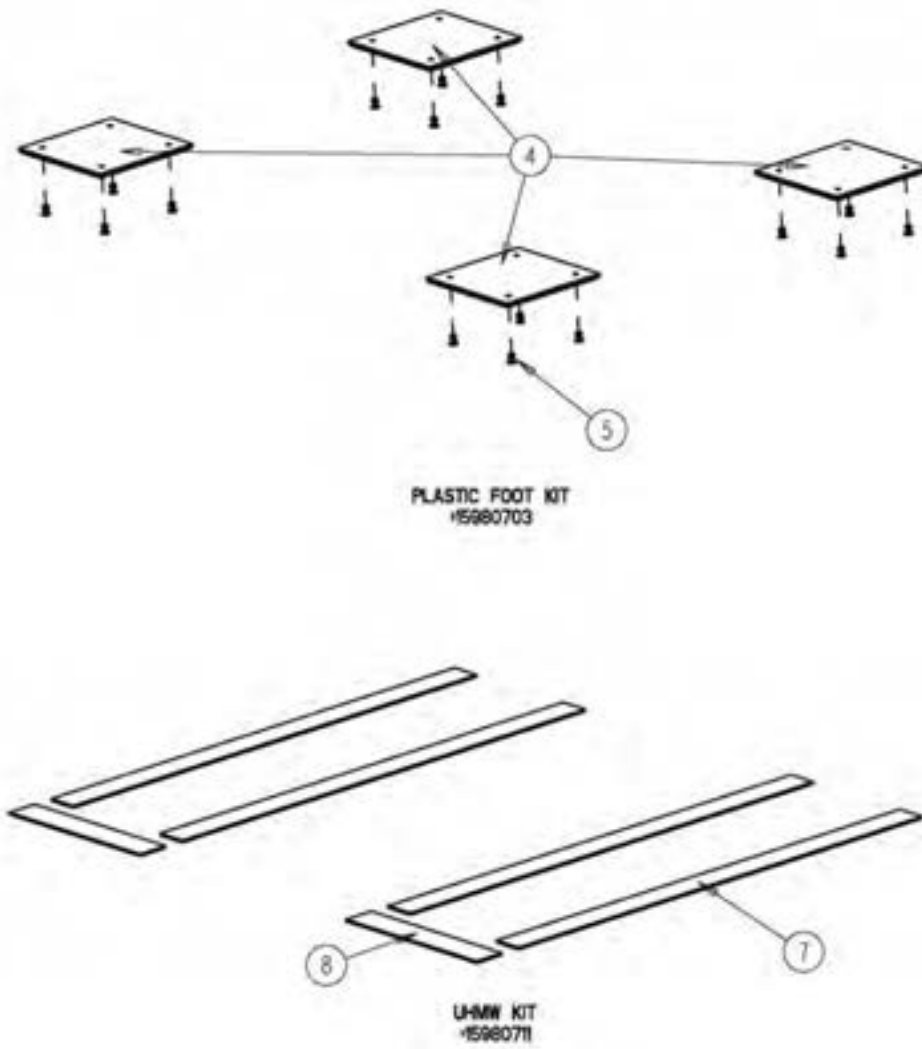


FIGURE 35b PLASTIC FOOT and UHMW STRIPS

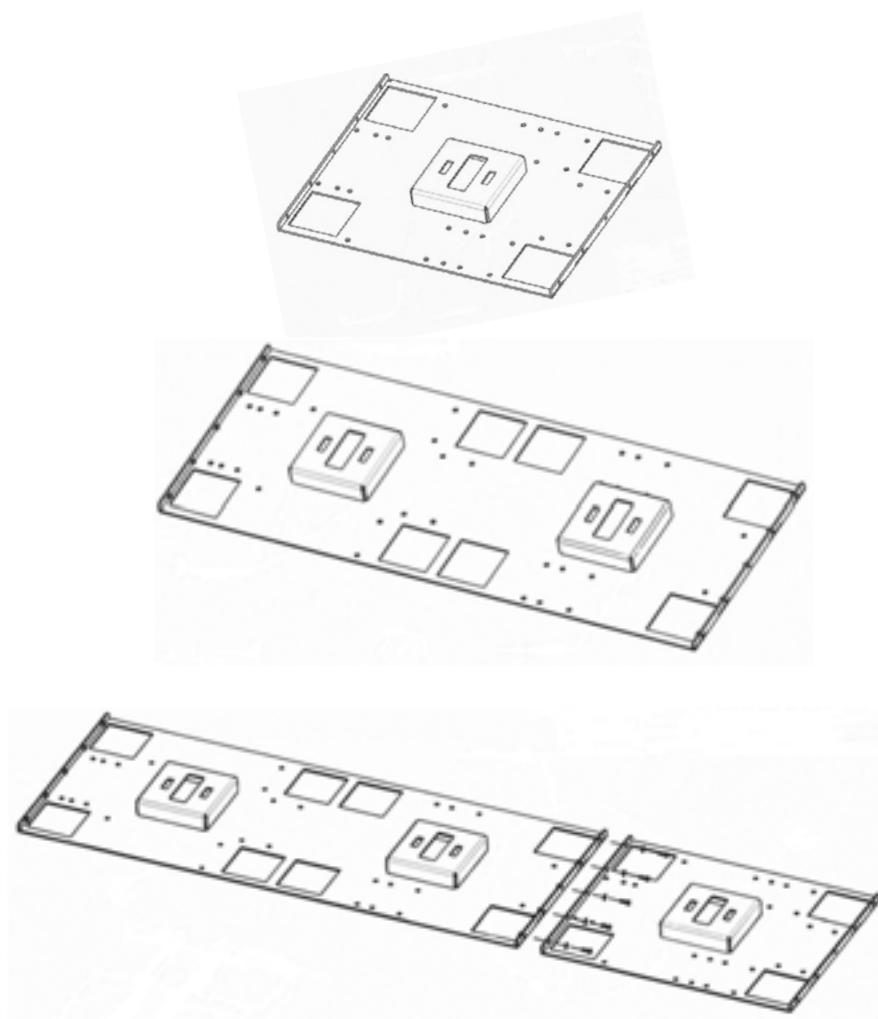
**FIGURES 35a and 35b GROUP 09
LEM CABINET BASE and TWIST LOCK**

ITEM	NSN	CAGE	PART NO.	DESCRIPTION	QTY
1	NOT ASSIGNED	INSG3	17000100-003	.LEM BASE ASSEMBLY, GRAY	1
2	NOT ASSIGNED	INSG3	NOT ASSIGNED	..BASE WELDMENT	1
3	NOT ASSIGNED	INSG3	15980703	..PLASTIC FOOT KIT	1
4	NOT ASSIGNED	INSG3	NOT ASSIGNED	...PLASTIC FOOT	4
5	NOT ASSIGNED	INSG3	NOT ASSIGNED	...3/16 RIVET	16
6	NOT ASSIGNED	INSG3	15980711	..UHMW KIT, BASE	1
7	NOT ASSIGNED	INSG3	NOT ASSIGNED	..UHMW SLIDE TAPE VERTICAL, 24"	4
8	NOT ASSIGNED	INSG3	NOT ASSIGNED	..UHMW SLIDE TAPE, 8-7/8"	2

END of FIGURES 35a and 35b

END OF WORK PACKAGE

PARTS SUPPORTING INFORMATION**FPU® SYSTEMS OPERATION MANUAL
(INCLUDING REPAIR PARTS & SPECIAL TOOL LIST)
LIGHT EXPEDITIONARY MODULE (LEM)
BOH FPU Field Pack-up Units****LEM MOUNTING PLATES**

**FIGURE 36, 37 and 38 LEM MOUNTING PLATES**

SINGLE POSITION MOUNTING PLATE

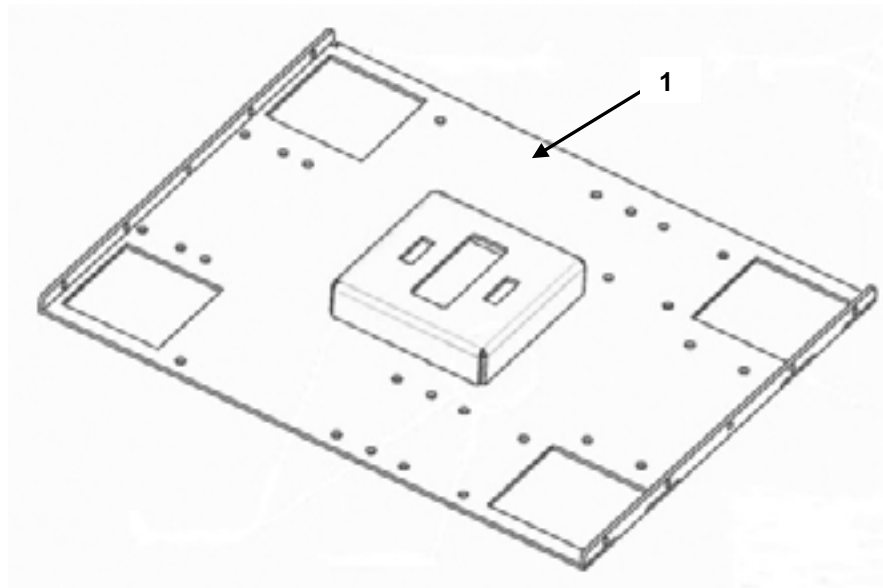


FIGURE 36 SINGLE POSITION MOUNTING PLATE

**FIGURE 36 GROUP 10
SINGLE POSITION MOUNTING PLATE**

ITEM	NSN	CAGE	PART NO.	DESCRIPTION	QTY
1	8145-01-811-3941	INS63	17003500-003	TWISTLOCK MOUNTING PLATE, SINGLE POSITION.	1

END of FIGURE 36

TWO POSITION MOUNTING PLATE

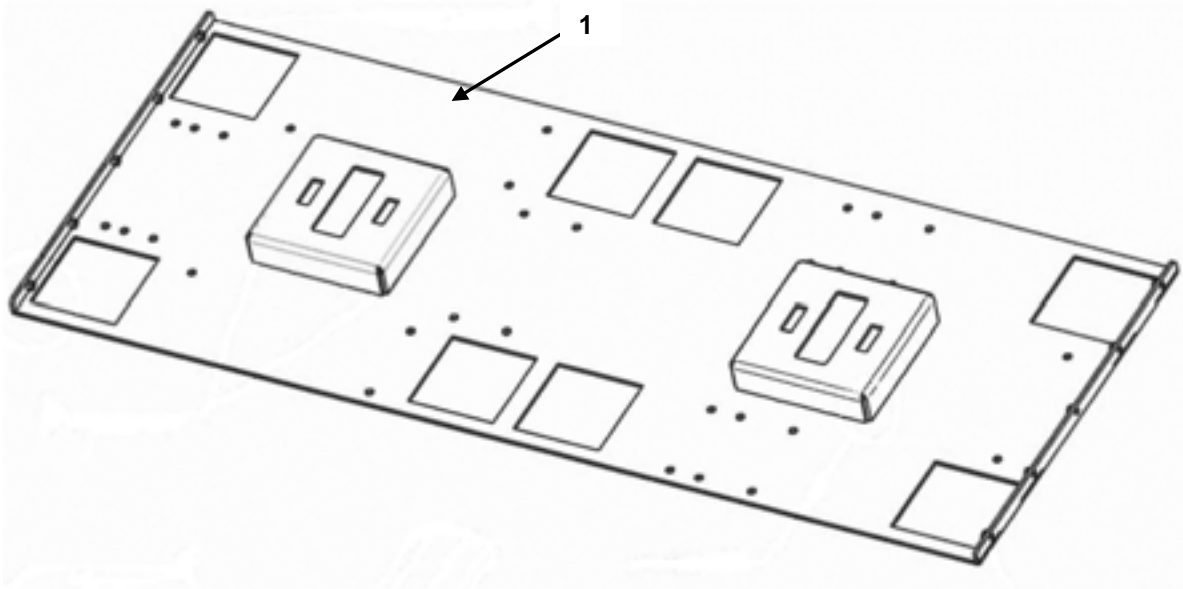


FIGURE 37 TWO POSITION MOUNTING PLATE

**FIGURE 37 GROUP 10
TWO POSITION MOUNTING PLATE**

ITEM	NSN	CAGE	PART NO.	DESCRIPTION	QTY
1	8145-01-611-3939	INSG3	17000501-003	TWISTLOCK MOUNTING PLATE, TWO POSITION.	1

END of FIGURE 37

THREE POSITION MOUNTING PLATE

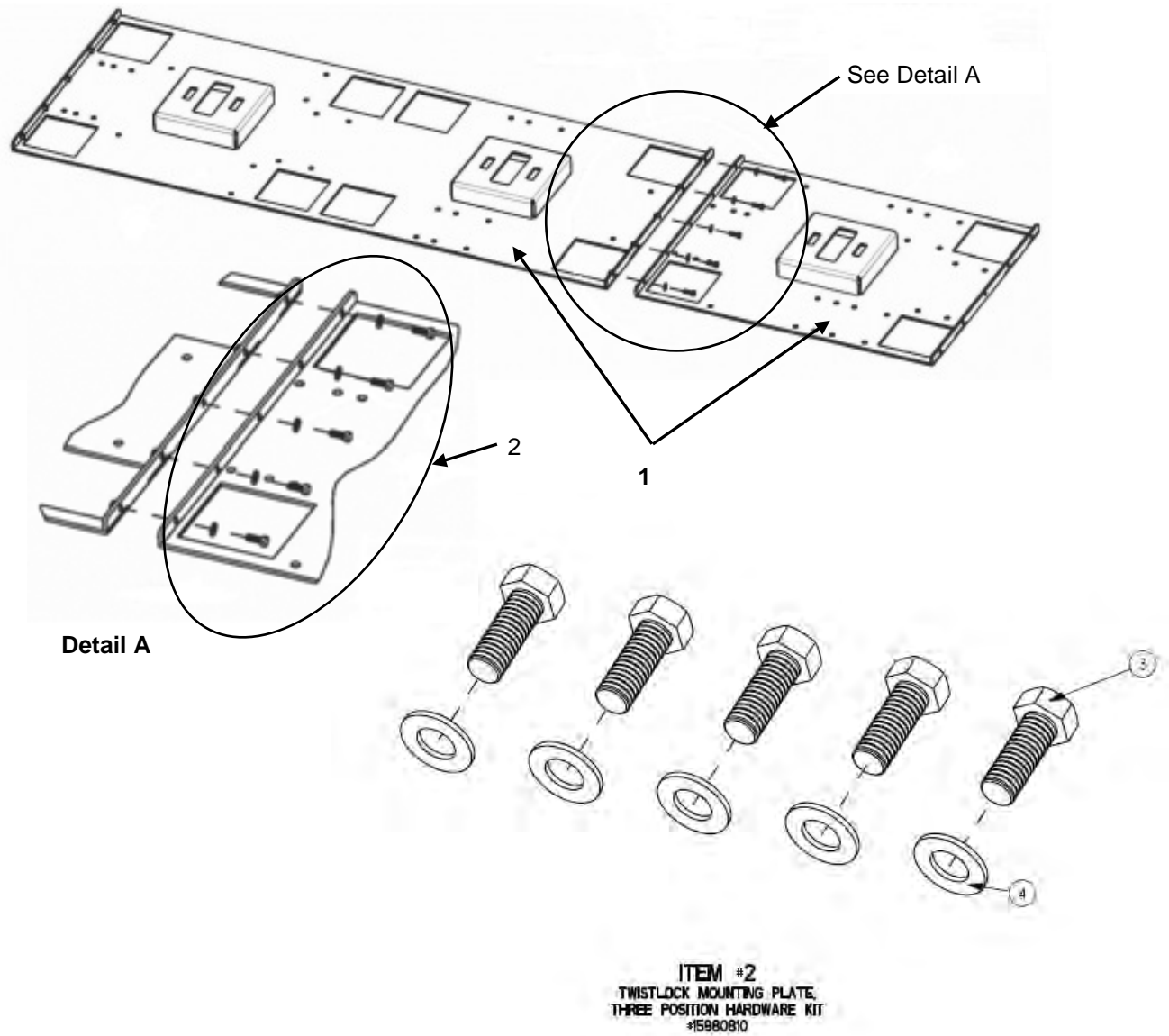


FIGURE 38 THREE POSITION MOUNTING PLATE

**FIGURE 38 GROUP 10
THREE POSITION MOUNTING PLATE**

ITEM	NSN	CAGE	PART NO.	DESCRIPTION	QTY
1	8145-01-611-3936	INSG3	17000502-003	TWISTLOCK MOUNTING PLATE, THREE POSITION.	1
2	NOT ASSIGNED	INSG3	15980810	TWISTLOCK MOUNTING PLATE, THREE POSITION HARDWARE KIT	1
3	NOT ASSIGNED	INSG3	78030616	BOLT HHCS 3/8-16 X 1 ZP. GR. 8	5
4	NOT ASSIGNED	INSG3	78370710	WASHER-FLAT 3/8" SAE ZP GRB.	5

END of FIGURE 38**END OF WORK PACKAGE**

This page was intentionally left blank

This page was intentionally left blank

PARTS SUPPORTING INFORMATION

**FPU® SYSTEMS OPERATION MANUAL
(INCLUDING REPAIR PARTS & SPECIAL TOOL LIST)
LIGHT EXPEDITIONARY MODULE (LEM)
BOH FPU Field Pack-up Units**

PART NUMBER INDEX

PART NUMBER	FIG.	ITEM
15980700	31	1
15980701	31	5
15980702	31	9
15980703	35	3
15980705	24	16
15980705	31	13
15980706	24	1
15980706	31	16
15980707	31	23
15980709	24	10
15980710	24	13
15980711	35	6
15980804	30	11
15980805	30	9
15980806	32	3
15980806	33	3
15980807	32	15
15980807	33	14
15980808	33	6
15980809	33	10
15980810	38	2
15980818	32	6
15980819	32	11
15980900	34	1
15980901	34	6
15980902	34	11
15980903	34	16

PART NUMBER	FIG.	ITEM
15980904	34	24
15980905	34	26
15980920	34	4
15980921	34	9
15980922	34	14
15980923	34	19
15980924	34	24
15980925	34	29
17000243	01	13
17000243	02	12
17000243	03	12
17000243	04	13
17000243	05	11
17000243	06	13
17000243	07	12
17000243	08	12
17000243	09	13
17000243	10	11
17000243	11	13
17000243	12	12
17000243	13	12
17000243	14	13
17000243	15	11
17000243	25	12
17000243	26	11
17000243	27	11
17000243	28	12

PART NUMBER	FIG.	ITEM
17000243	29	10
17000246	01	21
17000246	02	20
17000246	03	20
17000246	04	21
17000246	05	19
17000246	06	21
17000246	07	20
17000246	08	20
17000246	09	21
17000246	10	19
17000246	11	22
17000246	12	21
17000246	13	21
17000246	14	22
17000246	15	20
15980801-003	31	20
15980802-003	01	8
15980802-003	01	17
15980802-003	02	7
15980802-003	02	16
15980802-003	03	7
15980802-003	03	16
15980802-003	04	8
15980802-003	04	17
15980802-003	05	6
15980802-003	05	15
15980802-003	06	8
15980802-003	06	17
15980802-003	07	7
15980802-003	07	16
15980802-003	08	7
15980802-003	08	16
15980802-003	09	8
15980802-003	09	17
15980802-003	10	6
15980802-003	10	15
15980802-003	11	8

PART NUMBER	FIG.	ITEM
15980802-003	11	18
15980802-003	12	7
15980802-003	12	17
15980802-003	13	7
15980802-003	13	17
15980802-003	14	8
15980802-003	14	18
15980802-003	15	6
15980802-003	15	16
15980802-003	25	8
15980802-003	26	7
15980802-003	27	7
15980802-003	28	8
15980802-003	29	6
15980802-003	30	1
15980803-003	01	9
15980803-003	01	18
15980803-003	02	8
15980803-003	02	17
15980803-003	03	8
15980803-003	03	17
15980803-003	04	9
15980803-003	04	18
15980803-003	05	7
15980803-003	05	16
15980803-003	06	9
15980803-003	06	18
15980803-003	07	8
15980803-003	07	17
15980803-003	08	8
15980803-003	08	17
15980803-003	09	9
15980803-003	09	18
15980803-003	10	7
15980803-003	10	16
15980803-003	11	9
15980803-003	11	19
15980803-003	12	8

PART NUMBER	FIG.	ITEM
15980803-003	12	18
15980803-003	13	8
15980803-003	13	18
15980803-003	14	9
15980803-003	14	19
15980803-003	15	7
15980803-003	15	17
15980803-003	25	9
15980803-003	26	8
15980803-003	27	8
15980803-003	28	9
15980803-003	29	7
15980803-003	30	4
15980804-003	01	10
15980804-003	01	19
15980804-003	02	9
15980804-003	02	18
15980804-003	03	9
15980804-003	03	18
15980804-003	04	10
15980804-003	04	19
15980804-003	05	8
15980804-003	05	17
15980804-003	06	10
15980804-003	06	19
15980804-003	07	9
15980804-003	07	18
15980804-003	08	9
15980804-003	08	18
15980804-003	09	10
15980804-003	09	19
15980804-003	10	8
15980804-003	10	17
15980804-003	11	10
15980804-003	11	20
15980804-003	12	9
15980804-003	12	19
15980804-003	13	9

PART NUMBER	FIG.	ITEM
15980804-003	13	19
15980804-003	14	10
15980804-003	14	20
15980804-003	15	8
15980804-003	15	18
15980804-003	25	10
15980804-003	26	9
15980804-003	27	9
15980804-003	28	10
15980804-003	29	8
15980804-003	30	14
15980820-003	32	1
15980821-003	33	1
17000001-003	01	1
17000002-003	02	1
17000003-003	03	1
17000004-003	04	1
17000005-003	05	1
17000006-003	06	1
17000007-003	07	1
17000008-003	08	1
17000009-003	09	1
17000010-003	10	1
17000011-003	11	1
17000012-003	12	1
17000013-003	13	1
17000014-003	14	1
17000015-003	15	1
17000016-003	01	3
17000016-003	06	3
17000016-003	11	3
17000016-003	16	1
17000016-003	25	3
17000017-003	12	3
17000017-003	02	3
17000017-003	07	3
17000017-003	17	1
17000017-003	26	3

PART NUMBER	FIG.	ITEM
17000018-003	03	3
17000018-003	04	3
17000018-003	08	3
17000018-003	13	3
17000018-003	18	1
17000018-003	27	3
17000019-003	09	3
17000019-003	14	3
17000019-003	19	1
17000019-003	28	3
17000020-003	5	3
17000020-003	10	3
17000020-003	20	1
17000020-003	29	3
17000020-003	15	3
17000021-003	01	14
17000021-003	02	13
17000021-003	03	13
17000021-003	04	14
17000021-003	05	12
17000021-003	07	13
17000021-003	10	12
17000021-003	21	1
17000022-003	06	14
17000022-003	08	13
17000022-003	09	14
17000022-003	22	1
17000023-003	11	14
17000023-003	12	13
17000023-003	13	13
17000023-003	14	14
17000023-003	15	12
17000023-003	23	1
17000100-003	01	2
17000100-003	02	2
17000100-003	03	2
17000100-003	04	2
17000100-003	05	2

PART NUMBER	FIG.	ITEM
17000100-003	06	2
17000100-003	07	2
17000100-003	08	2
17000100-003	09	2
17000100-003	10	2
17000100-003	11	2
17000100-003	12	2
17000100-003	13	2
17000100-003	14	2
17000100-003	15	2
17000100-003	25	2
17000100-003	26	2
17000100-003	27	2
17000100-003	28	2
17000100-003	29	2
17000100-003	35	1
17000101-003	25	4
17000101-003	26	4
17000101-003	27	4
17000101-003	28	4
17000101-003	29	4
17000110-003	01	4
17000110-003	02	4
17000110-003	03	4
17000110-003	04	4
17000110-003	05	4
17000110-003	06	4
17000110-003	07	4
17000110-003	08	4
17000110-003	09	4
17000110-003	10	4
17000110-003	11	4
17000110-003	12	4
17000110-003	13	4
17000110-003	14	4
17000110-003	15	4
17000110-003	16	2
17000110-003	17	2

PART NUMBER	FIG.	ITEM
17000110-003	18	2
17000110-003	19	2
17000110-003	20	2
17000120-003	01	15
17000120-003	02	14
17000120-003	03	14
17000120-003	04	15
17000120-003	05	13
17000120-003	06	15
17000120-003	07	14
17000120-003	08	14
17000120-003	09	15
17000120-003	10	13
17000120-003	11	15
17000120-003	12	14
17000120-003	13	14
17000120-003	14	15
17000120-003	15	13
17000120-003	21	2
17000120-003	22	2
17000120-003	23	2
17000130-003	01	22
17000130-003	02	21
17000130-003	03	21
17000130-003	04	22
17000130-003	05	20
17000130-003	06	22
17000130-003	07	21
17000130-003	08	21
17000130-003	09	22
17000130-003	10	20
17000130-003	11	23
17000130-003	12	22
17000130-003	13	22
17000130-003	14	23
17000130-003	15	21
17000157-003	01	11

PART NUMBER	FIG.	ITEM
17000157-003	02	10
17000157-003	03	10
17000157-003	04	11
17000157-003	05	9
17000157-003	06	11
17000157-003	07	10
17000157-003	08	10
17000157-003	09	11
17000157-003	10	9
17000157-003	11	11
17000157-003	12	10
17000157-003	13	10
17000157-003	14	11
17000157-003	15	9
17000157-003	25	11
17000157-003	26	10
17000157-003	27	10
17000157-003	28	11
17000157-003	29	9
17000159-003	01	20
17000159-003	02	19
17000159-003	03	19
17000159-003	04	20
17000159-003	05	18
17000159-003	06	20
17000159-003	07	19
17000159-003	08	19
17000159-003	09	20
17000159-003	10	18
17000159-003	11	21
17000159-003	12	20
17000159-003	13	20
17000159-003	14	21
17000159-003	15	19
17000224-003	01	12
17000224-003	02	11
17000224-003	03	11

PART NUMBER	FIG.	ITEM
17000224-003	04	12
17000224-003	05	10
17000224-003	06	12
17000224-003	07	11
17000224-003	08	11
17000224-003	09	12
17000224-003	10	10
17000224-003	11	12
17000224-003	12	11
17000224-003	13	11
17000224-003	14	12
17000224-003	15	10
17000500-003	36	1
17000501-033	37	1
17000502-003	38	1
17000654-003	03	5
17000654-003	04	5
17000654-003	08	5
17000654-003	09	5
17000654-003	11	16
17000654-003	13	5
17000654-003	13	15
17000654-003	14	5
17000654-003	14	16
17000654-003	15	14
17000654-003	18	3
17000654-003	19	3
17000654-003	23	3
17000654-003	27	5
17000654-003	28	5
17000655-003	01	5
17000655-003	02	5
17000655-003	06	5
17000655-003	06	16
17000655-003	07	5
17000655-003	07	15
17000655-003	08	15

PART NUMBER	FIG.	ITEM
17000655-003	09	16
17000655-003	10	14
17000655-003	11	5
17000655-003	12	5
17000655-003	16	3
17000655-003	17	3
17000655-003	22	3
17000655-003	25	5
17000655-003	26	5
17000656-003	01	6
17000656-003	04	6
17000656-003	06	6
17000656-003	09	6
17000656-003	11	6
17000656-003	11	17
17000656-003	12	16
17000656-003	13	16
17000656-003	14	6
17000656-003	14	17
17000656-003	15	15
17000656-003	16	4
17000656-003	19	4
17000656-003	23	4
17000656-003	25	6
17000656-003	28	6
17000657-003	01	7
17000657-003	06	7
17000657-003	11	7
17000657-003	16	5
17000657-003	25	7
17000658-003	01	16
17000658-003	02	6
17000658-003	02	15
17000658-003	03	15
17000658-003	04	7
17000658-003	04	16
17000658-003	05	5

This page was intentionally left blank

Boh Environmental, LLC

MANUFACTURER'S LIMITED WARRANTY TERMS

(BOH-QF-23 Rev. 1.03)

Boh Environmental, LLC (BOH) warrants that the Products it manufactures, including the Field Pack-Up (FPU[®]) System, Containerized Mission Systems, Module Kits, and Bare Base Equipment, shall be free from defects in materials and workmanship for a period of one year from date of purchase when normally used and operated by the Customer. Unused Product containing missing or defective components shall be returned, within the warranty period, with proof of purchase, to BOH with transportation charges prepaid. BOH, at its option, shall supply a replacement item(s) or refund the purchase price of the Product. BOH shall in its sole discretion determine whether to replace the defective item(s) with identical items, or with items of identical quality and providing identical performance and functional capabilities. BOH will determine, at its sole discretion, whether or not the claim is a valid warranty item. If so, BOH will pay costs (actual transportation plus handling charge) for shipping of the replacement item, when this option is selected.

This warranty is void if Products have been damaged by the Customer as the result of improper or unreasonable use, or other causes not arising out of defects in material or workmanship. The warranty is also void if the Product has at any time been stored or used other than in accordance with the directions set out in the literature relating to the Product (e.g., user/operation manuals). BOH makes no other warranty or representation concerning the Products except that each will meet the performance specifications set forth in the literature relating to the Product. There are no further warranties, including any warranty of merchantability or fitness for a particular purpose covering the Product.

BOH will, at its option, either (1) credit user in the amount paid for any Product which does not perform to these specifications, or (2) replace such Product, provided user so notifies BOH within twelve (12) months of the Products purchase date. BOH shall not be responsible for any consequential damages to user arising as a result of such performance. The Customer will return the item at their cost, if required. Boh may elect to have its representative inspect the item to validate the claim.

Other product components included in the fabrication of items purchased under contract (e.g., air conditioners and generators) that are not manufactured by Boh Environmental are warranted by their individual manufacturer. Copies of such warranties are supplied with the finished Product or are available through BOH.

Please contact BOH for other contract specific warranty terms

This page was intentionally left blank

THE METRIC SYSTEM AND EQUIVALENTS

Linear Measure

1 centimeter = 10 millimeters = .39 inch
1 decimeter = 10 centimeters = 3.94 inches
1 meter = 10 decimeters = 39.37 inches
1 decameter = 10 meters = 32.8 feet
1 hectometer = 10 decameters = 328.08 feet
1 kilometer = 10 hectometers = 3,280.8 feet

Weights

1 centigram = 10 milligrams = .15 grain
1 decigram = 10 centigrams = 1.54 grains
1 gram = 10 decigrams = .035 ounce
1 dekagram = 10 grams = .35 ounce
1 hectogram = 10 dekagrams = 3.52 ounces
1 kilogram = 10 hectograms = 2.2 pounds
1 quintal = 100 kilograms = 220.46 pounds
1 metric ton = 10 quintals = 1.1 short tons

Liquid Measure

1 centiliter = 10 milliliters = .34 fl. ounce
1 deciliter = 10 centiliters = 3.38 fl. ounces
1 liter = 10 deciliters = 33.81 fl. ounces
1 deciliter = 10 liters = 2.64 gallons
1 hectoliter = 10 deciliters = 26.42 gallons
1 kiloliter = 10 hectoliters = 264.18 gallons

Square Measure

1 sq. centimeter = 100 sq. millimeters = .155 sq. inch
1 sq. decimeter = 100 sq. centimeters = 15.5 sq. inches
1 sq. meter (centare) = 100 sq. decimeters = 10.76 sq. feet
1 sq. decameter (are) = 100 sq. meters = 1,076.4 sq. feet
1 sq. hectometer (hectare) = 100 sq. decameters = 2.47 acres
1 sq. kilometer = 100 sq. hectometers = .386 sq. mile

Cubic Measure

1 cu. centimeter = 1000 cu. millimeters = .06 cu. inch
1 cu. decimeter = 1000 cu. centimeters = 61.02 cu. inches
1 cu. meter = 1000 cu. decimeters = 35.31 feet

Approximate Conversion Factors

To change	To	Multiply by	To change	To	Multiply by
Inches	centimeters	2.540	ounce-inches	Newton-meters	0.007062
feet	meters	0.305	centimeters	inches	0.394
yards	meters	0.914	meters	feet	3.280
miles	kilometers	1.609	meters	yards	1.094
square inches	square centimeters	6.451	kilometers	miles	0.621
square feet	square meters	0.093	square centimeters	square inches	0.155
square yards	square meters	0.836	square meters	square feet	10.764
square miles	square kilometers	2.590	square meters	square yards	1.196
acres	square hectometers	0.405	square kilometers	square miles	0.386
cubic feet	cubic meters	0.028	square hectometers	acres	2.471
cubic yards	cubic meters	0.765	cubic meters	cubic feet	35.315
fluid ounces	milliliters	29.573	cubic meters	cubic yards	1.308
pints	liters	0.473	milliliters	fluid ounces	0.034
quarts	liters	0.946	liters	pints	2.113
gallons	liters	3.785	liters	quarts	1.057
ounces	grams	28.349	liters	gallons	0.264
pounds	kilograms	0.454	grams	ounces	0.035
short tons	metric tons	0.907	kilograms	pounds	2.205
pound-feet	Newton-meters	1.356	metric tons	short tons	1.102
pound-inches	Newton -meters	0.11296			

Temperature (Exact)

$\frac{5}{9} (\text{after subtracting } 32)$

_F Fahrenheit temperature Celsius temperature _C