
FPU® SYSTEMS OPERATION MANUAL
BOH OFFICE MODULE
(INCLUDING REPAIR PARTS & SPECIAL TOOL LIST)
BOH FPU Field Pack-up Units



OFFICE MODULE

BOH ENVIRONMENTAL LLC
14520 Avion Parkway, Suite 220
Chantilly, Va. 20151
POC Doug Cresap (985) 674-0725
<http://www.bohfpusystems.com>

This page was intentionally left blank

WARNING SUMMARY

This warning summary contains general safety warnings and hazardous materials warnings that must be understood and applied during operation and maintenance of this equipment. Failure to observe these precautions could result in serious injury or death to persons using equipment.

WARNING



Forklift operator should always use module forklift pockets when moving Office Module to prevent tipping. Ground guides must insure no personnel go underneath office module during movement operations. Failure to comply could cause injury, death or damage to the equipment.

WARNING



Use extreme caution when loading or unloading Office Module from and into FPU containers, other containers and transport vehicles. Forklift operator should maintain visual contact with ground guides at all times. Ground guides should never come between the module and container during loading process. If visual contact with ground guide is lost, immediately suspend all operations, turn off forklift and set emergency brake. Failure to comply could cause serious injury, death or damage to the equipment.

WARNING



Always follow standard forklift procedures. A tilt hazard exists when forklift operators try to lift an office module, without inserting forklift tines into module forklift pockets. Operators should always keep loads low and close to the forklift carriage. Operators should never travel when the load is in the fork's extended position. Ensure hands, feet and limbs are clear of the container and components during any forklift or lifting operation. Failure to comply could cause injury or damage to the equipment.

WARNING



Always ensure the inside of the Office Module is free of debris, grease, and foreign objects. Failure to comply could cause injury to personnel.

WARNING



The office module is heavy and could cause injury or death if it falls onto or strikes personnel. A tilt hazard exists when either the module is not properly locked down to the FPU container twistlock device or is not properly secured within other types of containers. Ensure that all internal equipment is properly locked, latched and secured in place prior to any movement of the office module.

WARNING



Personnel shall never climb on top of the office module as the roof is not designed for this. A slip hazard may also occur if the top of the module is wet.

WARNING SUMMARY

This warning summary contains general safety warnings and hazardous materials warnings that must be understood and applied during operation and maintenance of this equipment. Failure to observe these precautions could result in serious injury or death to persons using equipment.

Container Overhead Power Line Warning

WARNING



Overhead power lines and obstructions can cause serious injury or damage to property. Forklift operators, truck drivers, and ground guides should always clear overhead when moving the office module.

WARNING



Fluorescent tubes contain hazardous material. For proper disposal of fluorescent tubes, refer to DOD 4160.21-M page 10.1-12.

WARNING



Protective gloves should be worn when handling metal parts in high temperatures. Failure to wear gloves may result in burning or blistering of the skin upon contact.

WARNING



Protective gloves should be worn when handling metal parts in below freezing temperatures. Failure to wear gloves may result in skin freezing to the metal upon contact and cause tearing of the flesh when attempting to pull away from the metal.

WARNING



The office module is NOT designed to be operated in contaminated NBC Environments.

The FPU is designed to operate outside an established NBC safety perimeter.

Do not operate the FPU in contaminated NBC environments.

GENERAL WARNINGS



HEAVY PARTS - heavy object on human figure shows that heavy parts present a danger to life or limb.



HEAVY PARTS - heavy object pinning human figure against wall shows that heavy, moving parts present a danger to life or limb.



HEAVY PARTS - hand with heavy object on top shows that heavy parts can crush and harm.



HEAVY PARTS - foot with heavy object on top shows that heavy parts can crush and harm.



SLICK FLOOR - wavy line on floor with legs prone shows that slick floor presents a danger for slipping or falling.



ELECTRICAL - electrical wire to arm with electricity symbol running through human body shows that shock hazard is present.



CRYOGENIC - hand in block of ice shows that the material is extremely cold and can injure human skin or tissue.



CHEMICAL - drops of liquid on hand shows that the material will cause burns or irritation to human skin or tissue.



EYE PROTECTION - person with goggles shows that the material will injure the eyes.



HOT METAL SURFACES- Metal surfaces may become hot in extreme heat areas, prolonged contact may cause burning or blistering of the skin.

This page was intentionally left blank

FPU® SYSTEMS OPERATION MANUAL
BOH OFFICE MODULE
(INCLUDING REPAIR PARTS & SPECIAL TOOL LIST)
 BOH FPU Field Pack-up Units

Manual Table of Contents

REPORTING ERRORS AND RECOMMENDING IMPROVEMENTS

You can help improve this manual. Please let us know if you find any mistakes or if you know of a way to improve the procedures. You may send in your recommended changes by E-mail directly to: dresap@bohfpusystems.com. A reply will be furnished directly to you.

Approved for public release; distribution is unlimited.

TABLE OF CONTENTS

	<u>WP Sequence No.</u>
WARNING SUMMARY	a
HOW TO USE THIS MANUAL	iii
CHAPTER 1 – INTRODUCTORY INFORMATION WITH THEORY OF OPERATION	
General Information	0001 00
Theory of Operation	0002 00
Office Module Orientation	0003 00
Movement and Transport	0004 00
Equipment Characteristics, Components & Accessories	0005 00
Equipment Data Labels, Identifications & Markings	0006 00
<hr style="border-top: 1px dashed black;"/>	
CHAPTER 2 – OPERATOR INSTRUCTIONS	
Preparation for Movement and Transport	0007 00
Operation of Office Module	0008 00
Office Module Roof	0009 00
Electrical System	0010 00
Operation of Internal Components	0011 00
Operation under Unusual Conditions	0012 00
<hr style="border-top: 1px dashed black;"/>	
CHAPTER 3 - TROUBLESHOOTING PROCEDURES	
Introduction	0013 00
Troubleshooting Index	0014 00
Troubleshooting Procedures Table 1	0015 00
<hr style="border-top: 1px dashed black;"/>	
CHAPTER 4 – OPERATOR MAINTENANCE INSTRUCTIONS	
Introduction to Preventative Maintenance Checks and Services (PMCS)	0016 00
PMCS Table	0017 00
Cleaning and Lubricating Tables	0018 00
Exterior Inspection	0019 00
Interior Inspection	0020 00
Electrical System Inspection	0021 00
<hr style="border-top: 1px dashed black;"/>	

CHAPTER 5 –UNIT MAINTENANCE INSTRUCTIONS

Rivet Replacement 0022 00
Exterior Repair 0023 00
Interior Repair..... 0024 00
Electrical Repair 0025 00

CHAPTER 6 – PARTS SUPPORTING INFORMATION

Introduction to Maintenance Allocation Chart (MAC) 0026 00
Maintenance Allocation Chart (MAC)..... 0027 00
Introduction to Repair Parts & Special Tool List..... 0028 00
Office Module Exterior Repair Parts 0029 00
Office Module Interior Repair Parts 0030 00
Office Module Interior Electrical Components..... 0031 00

- 00 OFFICE MODULE
- 01 Office Module Interior Electrical Components
 - 0101 Rear Wall Electrical
 - 0102 Desk Side Wall
 - 0103 Light Switch
 - 0104 Lights
- 02 Interior Parts
 - 0201 Desk
 - 0202 File Cabinet
 - 0203 Upper Shelf
 - 0204 Storage Cabinet
- 03 HVAC
- 04 Roof Elevation Parts
 - 0401 Jack Assembly
 - 0402 Wall Lock Assembly
- 05 Office Module Exterior
 - 0501 Door Assembly
 - 0502 Ground Lug Kit

NSN Index.....0032 00
Part Number Index..... 0033 00

REAR MATTER

- BOH Product Warranty
- Metric Conversion Chart

Appendices

- AppendixFrigidaire HVAC Operation Manual

HOW TO USE THIS MANUAL

This manual contains general information, operating instructions, Preventative Maintenance Checks and Services (PMCS), and maintenance/repair instructions for the Office Module.

Front matter consists of front cover, warning summary, title block, table of contents, "how to use this manual" pages, and provides information on the Office Module and its associated equipment. Chapter 1 provides equipment description and data as well as basic the theory of operation for the Office Module. Chapter 2 provides instructions for operating under usual and unusual conditions. Chapter 3 contains troubleshooting procedures authorized at the Operator and Unit level. Chapter 4 contains Preventative Maintenance Checks and Services (PMCS) and Operator Maintenance Instructions. Chapter 5 contains Unit Maintenance Instructions. Chapter 6 contains the Maintenance Allocation Chart (MAC); it also includes the Repair Parts & Special Tools List (RPSTL) that identifies parts or tools unique to the operation and maintenance of the Office Module and components.

Manual Organization and Page Numbering

This manual is divided into six major chapters that detail the topics mentioned above. Within each chapter are work packages covering a wide range of topics. Each work package is numbered sequentially at page 1, and has its own page numbering scheme that is independent of the page numbering used by other work packages. Each page of a work package has a page number of the form "XXXX YY-ZZ", where "XXXX YY" is the work package number (e.g. 0010 00 is work package 10) and "ZZ" represents the number of the page within that work package. Blank pages will be labeled; "This page was intentionally left blank".

Finding Information

The Table of Contents permits the reader to quickly find information in the manual. The reader should start here first when looking for a specific topic. The Table of Contents lists the topics contained within each chapter and the work package sequence number where it can be found.

Types of Notations

Warnings - Warnings are posted immediately prior to text covering any area that would present a situation that may result in injury or death. Compliance is mandatory.

Cautions - Cautions will be found on the same page and preceding the text covering any area that would present a situation that may result in damage to equipment.

Notes - Notes will precede text covering an area with the intent to alter normal procedures for unique situations or equipment, or point out areas of special concern.

This page was intentionally left blank

**FPU[®] SYSTEMS OPERATION MANUAL
BOH OFFICE MODULE
(INCLUDING REPAIR PARTS & SPECIAL TOOL LIST)
BOH FPU Field Pack-up Units**

CHAPTER 1

**INTRODUCTORY INFORMATION
WITH
THEORY OF OPERATION**

This page was intentionally left blank

INTRODUCTORY INFORMATION WITH THEORY OF OPERATION**FPU® SYSTEMS OPERATION MANUAL
BOH OFFICE MODULE
(INCLUDING REPAIR PARTS & SPECIAL TOOL LIST)
BOH FPU Field Pack-up Units****GENERAL INFORMATION**

SCOPE**Equipment Covered**

This technical manual contains instructions for the operation, preventative maintenance, and recommended Unit/Direct Support corrective maintenance for the BOH Office Module and the associated equipment.

Type of Manual

This is an Operator, Unit and Direct Support, Operation and Maintenance Manual.

Equipment Name, Part Number and NSN

Containerized Mission System	PART NUMBER	NSN
Office Module (Green/Tan)	15500201	8145-01-478-3374

END OF WORK PACKAGE

This page was intentionally left blank

INTRODUCTORY INFORMATION WITH THEORY OF OPERATION
**FPU® SYSTEMS OPERATION MANUAL
BOH OFFICE MODULE
(INCLUDING REPAIR PARTS & SPECIAL TOOL LIST)**

BOH FPU Field Pack-up Units

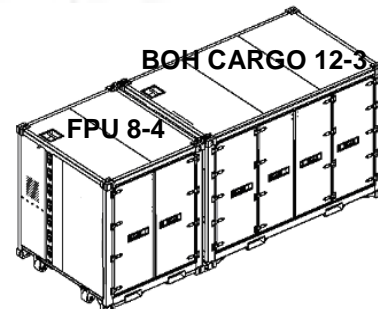
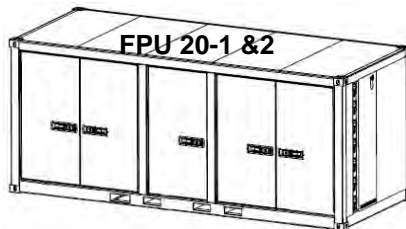
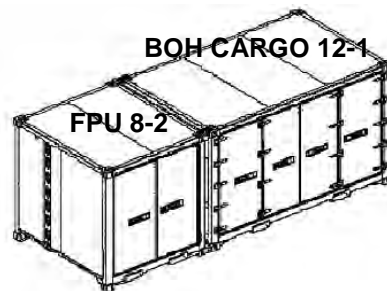
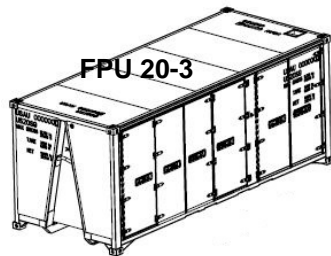
THEORY OF OPERATION

Office Module Description

The BOH Office Module is a 2-person mobile work station which measures 69"W x 73"H x 88"L (upper external unextended position) with adjustable height (external) up to 93"H. Features quick-disconnect 120vac @ 30amp power, 7-outlet surge strip, Ethernet port, 2 rolling office chairs, one storage cabinet, 2 file drawers, retractable HVAC, overhead shelf w/ securing straps, seamless desktop, FRP interior walls and ceiling, and 2-stage door (at one end) with automatic switch for low-voltage white/red lighting. A single unit (unextended) can fit inside an FPU 8-2 or the 8-foot section of an FPU 20-1 or 20-2 for transport. It can also be transported inside an FPU 8-4 or the 8-foot section of an FPU 20-3 when installed with removable cradles. The office module has 4 fork pockets, two on each side, for forklift transport and movement outside of the FPU container.

Compatible Shipping Containers System

BOH FPU Cargo Container Systems are a durable standardized storage and transport system capable of rapidly mobilizing material. These systems can be configured to store and transport small, medium, large, palletized and bulk material. The FPU-8-2/BOH-CARGO-12-1 (Combination), FPU-8-4/BOH-CARGO-12-3 (Combination), FPU-20-1 & FPU-20-2 and FPU-20-3 containers are side-load containers. These container systems are ISO Certified and CSC Safety Approved and can be stacked nine high onboard commercial or MSC container ships. FPU-8-2/BOH-CARGO-12-1 (Combination) has a maximum capacity of 36,000 lbs., the FPU-8-4/BOH-CARGO-12-3 has a maximum capacity of 37,000 lbs., the FPU-20-2 has a maximum capacity of 33,000 lbs. FPU-20-1 has a maximum capacity of 52,900 lbs. and the FPU-20-3 has a maximum capacity of 37,000 lbs. The BOH FPU containers come in two color variations: Forest Green and Desert Sand.


END OF WORK PACKAGE

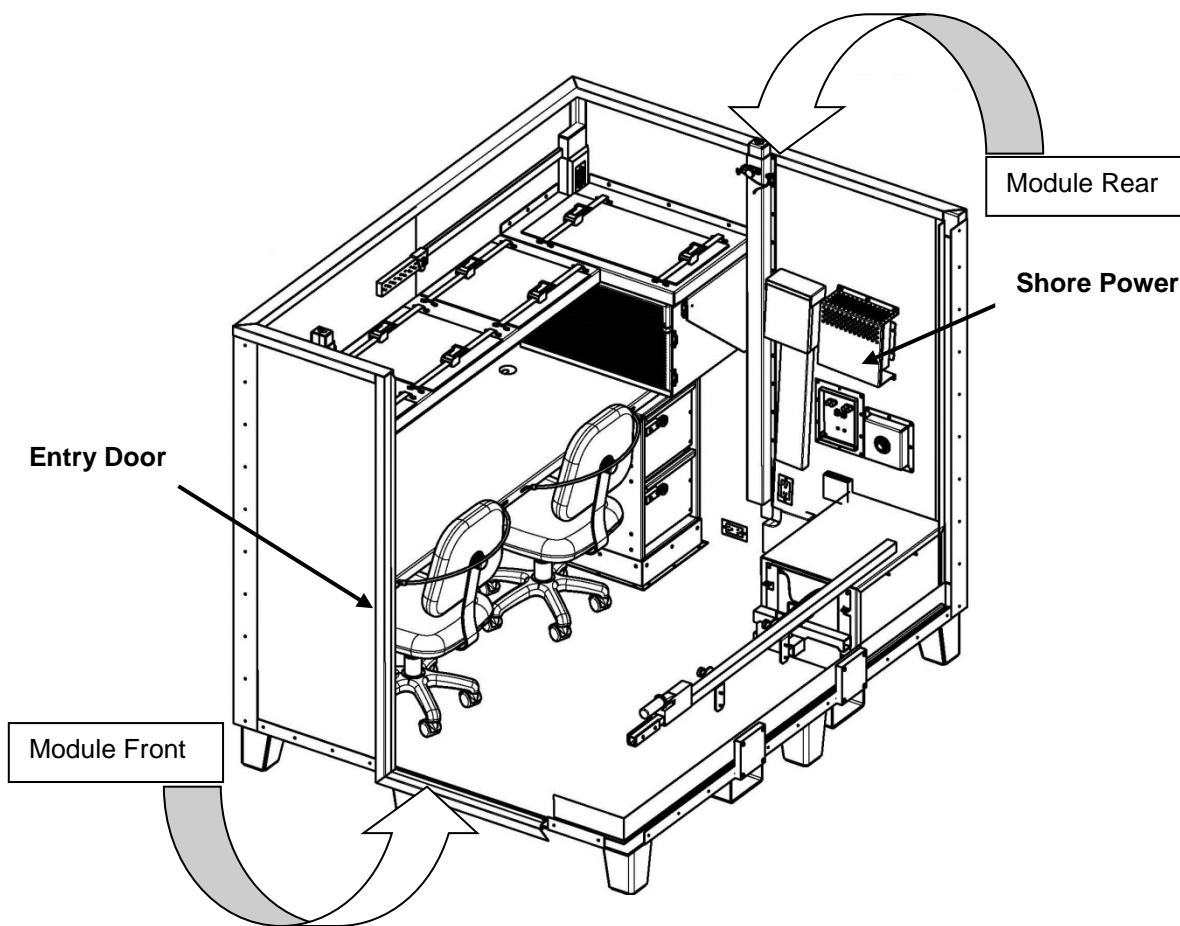
 BOH-PM-13-1
Chapter 1 Rev. 0.04

This page was intentionally left blank

INTRODUCTORY INFORMATION WITH THEORY OF OPERATION**FPU® SYSTEMS OPERATION MANUAL
BOH OFFICE MODULE
(INCLUDING REPAIR PARTS & SPECIAL TOOL LIST)
BOH FPU Field Pack-up Units****OFFICE MODULE ORIENTATION****Office Module Orientation**

For proper operation of the office module, selecting a site to place the office module that is a reasonably level and smooth surface is essential.

The HVAC unit is located in the rear of the office module on the wall opposite the door and adjacent to the desktop. The power and communications hookups are located in the rear of the container.



Office Module Section View
(side wall, entry door and top ceiling component removed for clarity)

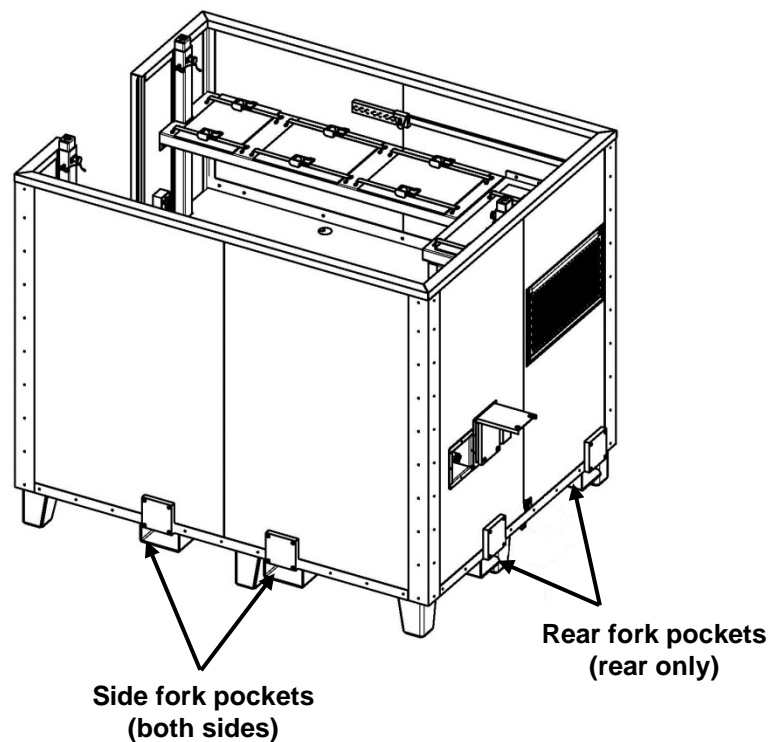
END OF WORK PACKAGE

This page was intentionally left blank

INTRODUCTORY INFORMATION WITH THEORY OF OPERATION**FPU® SYSTEMS OPERATION MANUAL
BOH OFFICE MODULE
(INCLUDING REPAIR PARTS & SPECIAL TOOL LIST)
BOH FPU Field Pack-up Units****MOVEMENT AND TRANSPORT**

Movement and Transport

The Office Module is provided with fork pockets on three sides of the container (rear and both sides) to facilitate lifting, positioning and loading of the modules into FPU containers for transport. The rear fork pockets are situated toward the right of the office module to account for the additional weight on the desk side of the module.

**NOTE**

Top Ceiling Component and entry door removed for clarity

CAUTION

The Office Module should only be lifted by the fork pockets provided on the left side, right side or rear, never from the front.



END OF WORK PACKAGE

INTRODUCTORY INFORMATION WITH THEORY OF OPERATION**FPU® SYSTEMS OPERATION MANUAL
BOH OFFICE MODULE
(INCLUDING REPAIR PARTS & SPECIAL TOOL LIST)
BOH FPU Field Pack-up Units****EQUIPMENT CHARACTERISTICS, COMPONENTS & ACCESSORIES**

HVAC units

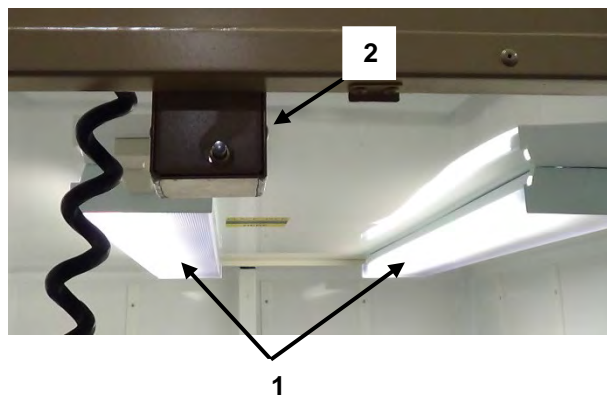
The office module has a retractable HVAC (8,000 BTU) unit.

**CAUTION**

The HVAC unit must be extended in the “out” position before operating.

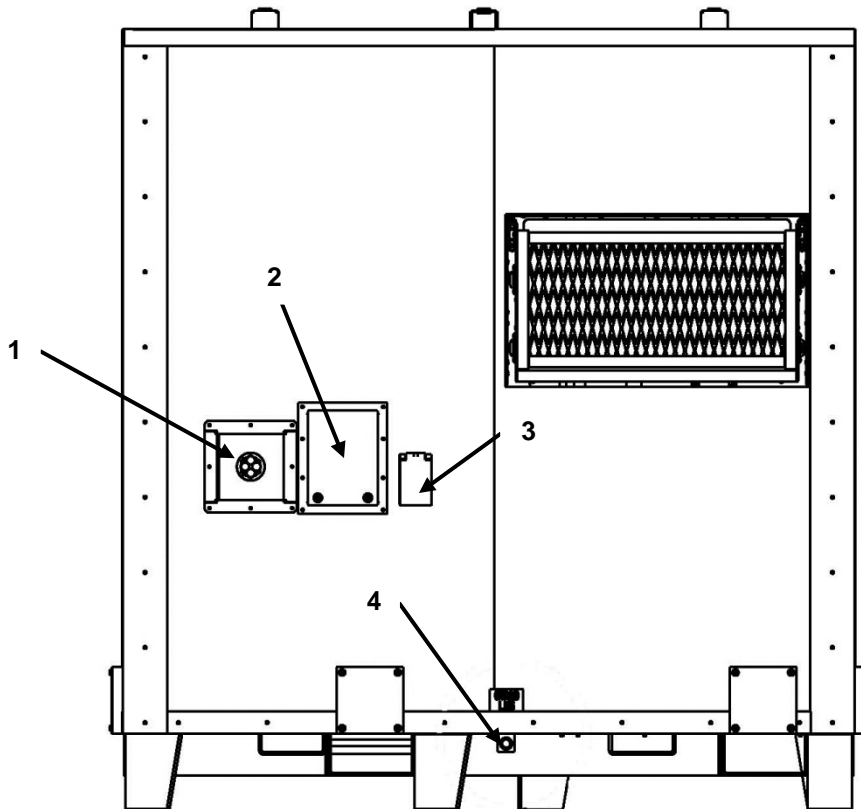
Lighting System

The office module includes two 120 VAC fluorescent light fixtures (1) and door lighting interrupter switch (2) for activating red lighting feature.



Exterior Connections

The Office Module is equipped with a communication connection box (2) and power connection box (3) with protective weather covers, electrical cable, and external ground lug (4). There is also a cable pass-through port (1) for various other equipment connections.



Office Module Rear View

WARNING



The electrical ground must be established first to prevent electrical shock to personnel. A ground rod is not provided with the Office Module; grounding source must be provided. Consult an Army certified electrician MOS 21R or DOD equipment grounding safety procedures.

END OF WORK PACKAGE

INTRODUCTORY INFORMATION WITH THEORY OF OPERATION**FPU® SYSTEMS OPERATION MANUAL
BOH OFFICE MODULE
(INCLUDING REPAIR PARTS & SPECIAL TOOL LIST)
BOH FPU Field Pack-up Units****EQUIPMENT DATA LABELS, IDENTIFICATIONS, & MARKINGS**

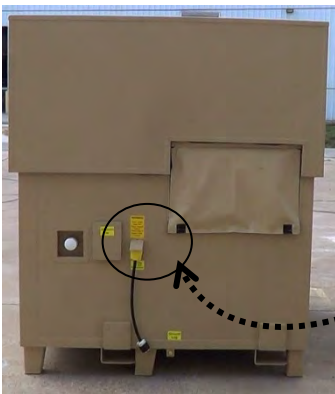
EQUIPMENT DATA PLATE LOCATIONS

The BOH data plates are affixed at the front of each container, just right of the entrance door. This plate identifies type module and serial number.



OFFICE MODULE POP-UP ROOF BOH FPU SYSTEMS BOH ENVIRONMENTAL, LLC 14520 AVION PARKWAY, SUITE 220 CHANTILLY, VA 20151 TEL. (703) 449-6020	
NSN:	_____
MODEL NO.	_____
PART NO.	_____
SERIAL NO.	_____
CONTRACT NO.	_____
DATE MANUFACTURED	_____
PATENT NO.	_____

Other Identifications and Markings



REPORTING EQUIPMENT IMPROVEMENT RECOMMENDATIONS (EIR)

If your BOH Office Module needs improvements in design and/or performance, please let us know. Send us a description of the recommended change to jstokes@bohfpusystems.com.

CORROSION PREVENTION AND CONTROL (CPC)

It is our understanding that Corrosion Prevention and Control (CPC) is a continuing concern for the military. While corrosion is typically associated with rusting of metals, it can also include deterioration of other material, such as rubber and plastic. Unusual cracking, softening, swelling, or breaking of these materials may be a corrosion problem.

All units must adhere to their specific corrosion maintenance plan. At a minimum, equipment should be inspected for corrosion on a quarterly basis (monthly if equipment is operated/stored in a high salt air environment). If corrosion is discovered, consult your unit/installation corrosion control manager to schedule repair. It is important that any corrosion problem with the Office Module be reported so that the problem can be corrected and improvements can be made to prevent the problem in the future.

PREPARATION FOR STORAGE OR SHIPMENT

All preventative maintenance checks and services should be performed on the systems and their components prior to any storage or shipment.

RECEIVING THE SYSTEM INVENTORY

Unpacking and Inventory of System Components upon Initial Receipt

With the System components downloaded, check the equipment against the packing list. Report any discrepancy to your supervisor.

END OF WORK PACKAGE

This page was intentionally left blank