

**FPU® SYSTEMS OPERATION MANUAL
(INCLUDING REPAIR PARTS & SPECIAL TOOL LIST)
SMALL CABINET MODULE (SCM)
BOH FPU Field Pack-up Units**

CHAPTER 5

UNIT MAINTENANCE INSTRUCTIONS

This page was intentionally left blank

UNIT MAINTENANCE INSTRUCTIONS

FPU® SYSTEMS OPERATION MANUAL (INCLUDING REPAIR PARTS & SPECIAL TOOL LIST) SMALL CABINET MODULE (SCM) BOH FPU Field Pack-up Units

RIVET REPLACEMENT

INITIAL SETUP:

Materiel/Parts

Rivet Replacement Kit

Personnel Required

One

Tools

Rags, 1/4 hp. Electric Drill, Pop Rivet Tool, 3/16" drill bit and Needle Nose Pliers

References

None

Equipment Condition

Rivet Replacement

INSPECT AND REPAIR

Remove and Replace Rivets

CAUTION

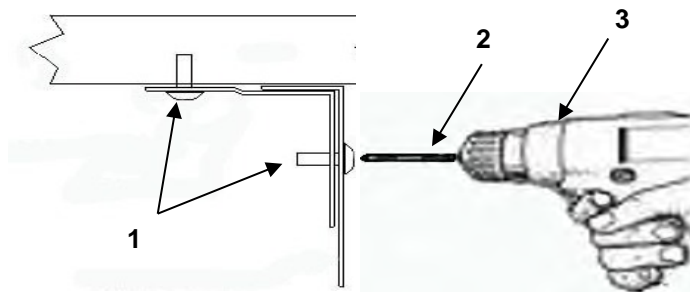
When removing a rivet (1), always ensure that the drill bit (2) will not contact or damage other parts behind the rivet (1).

1. For any rivet replacement, ensure there is nothing behind the area of the rivet (1) to be replaced that might be impacted by the drill bit (2).
2. For example, for a drawer handle replacement, remove the entire contents of the drawer.
3. Remove the drawer from the tray assembly.
4. Place the drawer on a stable work surface.
5. To remove a rivet, wipe the rivet surfaces clean, use a 1/2 hp. electric drill (3) with a 3/16" drill bit (2), and drill through the center core of the rivet (1).

WARNING

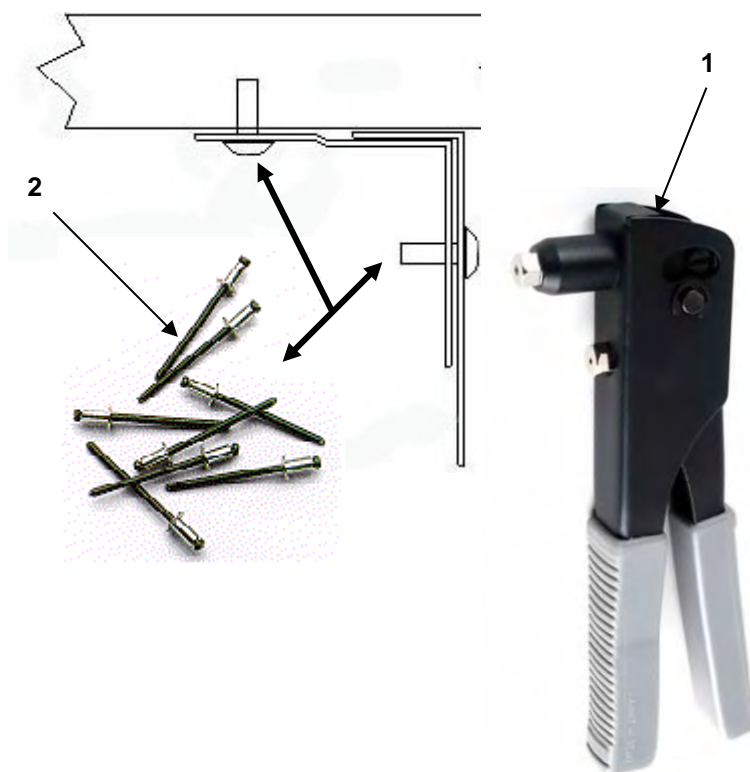


Use proper eye protection when operating a drill.



6. Remove the remainder of any rivet debris with needle nose pliers and wipe the hole clean with a rag.

7. Insure the holes are properly aligned.
8. Insert a new rivet (2), 1/8" or 3/16" DIA, through the holes of both items to be secured and into the pop rivet tool (1).
9. Use the pop rivet tool (1) to secure the rivet (2) and item in place.
10. Check for proper alignment and tight attachment of the item.



END OF WORK PACKAGE

UNIT MAINTENANCE INSTRUCTIONS

FPU® SYSTEMS OPERATION MANUAL (INCLUDING REPAIR PARTS & SPECIAL TOOL LIST) SMALL CABINET MODULE (SCM) BOH FPU Field Pack-up Units

REPAIR SLAM LATCHES, TRAY AND SLIDES

INITIAL SETUP:

Materiel/Parts

Slam Latch Kit, Tray Slide Kit

Personnel Required

One

Tools

Phillips Screwdriver # 1 and #2, Rivet Tool

References

Chapter 2 WP 0007 00 & WP 0008 00

Equipment Condition

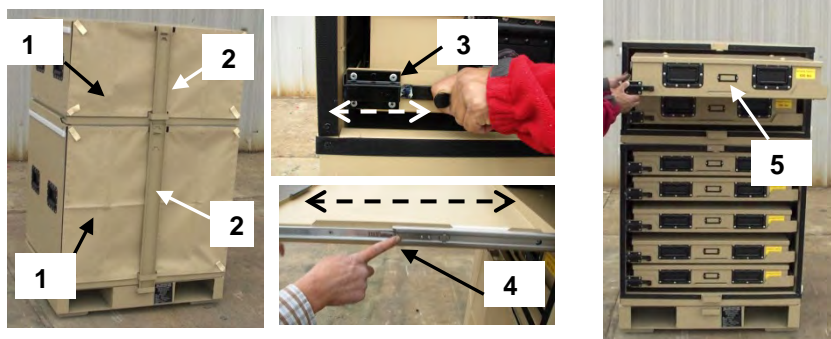
BOH SCM Tray Repair

INSPECT, REPAIR

WARNING



Slam latches (3) and slide detents (4) that do not operate properly and may not secure the drawers (5) must be replaced immediately. Failure to replace could cause damage to the equipment or injury to personnel.



Slam Latches

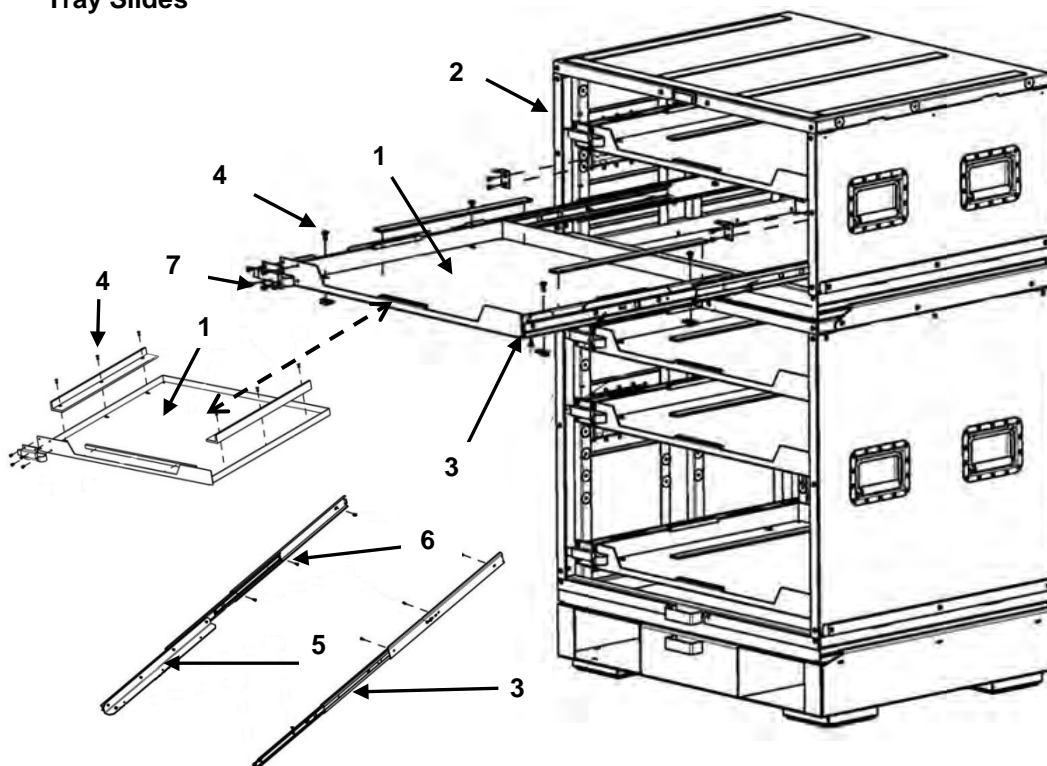
1. Remove both 18" and 30" 3G bars (2).
2. Remove both dust covers (1).
3. Actuate all the slam latches (3) and slide detents (4); test the spring action to ensure they return and retain the drawers (5).
4. To replace damaged slam latch (3), remove the drawer (5) and review rivet repair page 0019 00-1 and 00-2.

CAUTION

When drilling rivets, ensure the drill bit does not come in contact with internal parts of the hull or drawers (5).

5. Lubricate slam latches (3); test the spring action to ensure they return and retain the drawers (5).

Tray Slides



1. Extend the drawer tray (1) from the hull (2) to the full extension of the drawer slide (3).
2. Remove the six ¼-20 pan head screws (4), which hold the drawer tray to the slide angles (5). Set the tray (1) aside.
3. While leaving each drawer slide (3) fully extended, use a Philips screwdriver to remove the three screws (6), which hold the outer slide member to the inside of the cabinet hull.
4. Using the correct side of the slide kit (RH or LH), use the supplied screws to reinstall each slide assembly into the same holes. Do not reuse the original screws.
5. Place the tray (1) onto the extended drawer slide ledge angles (5) which were just installed, and align the holes on the bottom of the tray (1) to the clips mounted to the slide ledge angles (5).
6. Reattach the tray (1) using six ¼-20 pan head screws (4).
7. Return the tray to the closed position until the slam latch (7) is engaged.

WARNING



Slam latches (7) and slide (3) detents that do not operate properly and may not secure the drawer trays (1) must be replaced immediately. Failure to replace could cause damage to the equipment or injury to personnel.

END OF WORK PACKAGE

UNIT MAINTENANCE INSTRUCTIONS

FPU® SYSTEMS OPERATION MANUAL (INCLUDING REPAIR PARTS & SPECIAL TOOL LIST) SMALL CABINET MODULE (SCM) BOH FPU Field Pack-up Units

SCM 18" and 30" CABINETS/HULL ASSEMBLY

INITIAL SETUP:

Materiel/Parts

Bezel Replacement Kit and Slide Tape Kit

Personnel Required

Two

Tools

Phillips Screwdriver #2 and rags and Lubricant

References

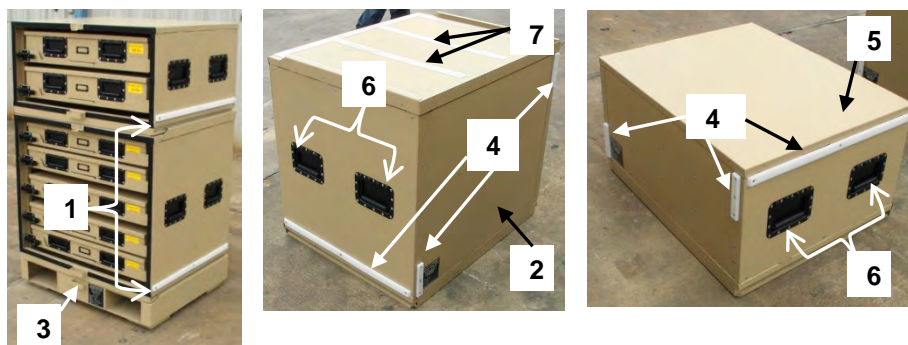
Chapter 2 WP 0007 00 & WP 0008 00

Equipment Condition

BOH SCM Hull Repair

INSPECT, REPAIR

Exterior



1. Inspect the bezels (1) on the 30" cabinet (2) and cabinet base (3) for damage.
2. If required, remove and replace the damaged bezel assembly (1) with the #2 Phillips screwdriver.
3. Inspect the bumper strips (4) on the sides and rear of the 30" cabinet (2) and 18" cabinet (5); review rivet repair page 0019 00-1 and 00-2.

CAUTION

When drilling rivets, ensure the drill bit does not come in contact with internal parts of the hull or drawers.

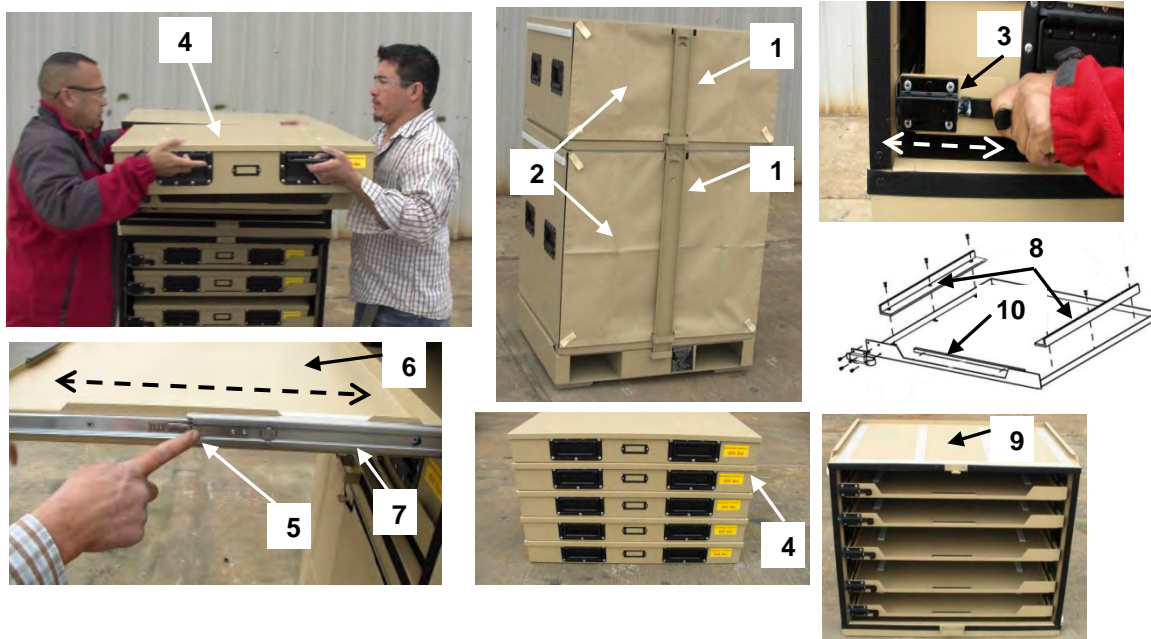
4. Inspect all handles (6) for smooth operation and damage, lubricate if needed.
5. Inspect for missing or damaged slide tapes (7) on the top of the 30" cabinet (2) and cabinet base (3); replace if needed.

WARNING



Cabinet bezels (1) that do not operate properly may not secure and retain the 18" (5) and 30" cabinet (2) and must be replaced immediately. Failure to replace could cause damage to the equipment or injury to personnel.

18"and 30" Hull Assemblies



1. Remove and inspect the 3G bars (1) and dust covers (2), replace if damaged.
2. Release the slam latch (3) and pull out the drawer (4) until the detent (5) is engaged.
3. With assistance, remove each drawer (4) and stack the drawers (4) out of the traffic area.
4. Inspect each drawer tray (6) for dirt or damage.
5. Check the tray slides (7) for smooth movement, lubricate as needed.
6. Inspect the drawer spacer angles (8) for dirt or damage; wipe clean with a damp rag.
7. Inspect the slide detents (5); test the spring action to ensure they retain the drawers.
8. Inspect the tray front edge protector (10), replace if missing or damaged. Apply adhesive Turbo Fuse series 130PR and reattach.
9. Inspect the hull (9) for dents or damage. With assistance, remove the hull (9) and schedule repair of any damage to the hull (9) with maintenance.
10. With assistance, install and close each drawer (4), ensure each slam latch (3) is engaged.
11. Install the dust covers (2) and 3G bars (1).

WARNING



Assistance is required when lifting any SCM component. Failure to comply will cause injury and damage to equipment. Slam latches (3), 3G bars (1) and tray slide detents (5) that do not operate properly may not secure the drawers and hulls. They must be replaced immediately. Failure of these items could cause damage to the equipment or injury to personnel.

END OF WORK PACKAGE

UNIT MAINTENANCE INSTRUCTIONS

FPU® SYSTEMS OPERATION MANUAL (INCLUDING REPAIR PARTS & SPECIAL TOOL LIST) SMALL CABINET MODULE (SCM) BOH FPU Field Pack-up Units

DRAWER ASSEMBLY

INITIAL SETUP:

Materiel/Parts

Drawer Seal Kit, Drawer Handle Kit

Personnel Required

One

Tools

Putty Knife, Wire Brush and Rags

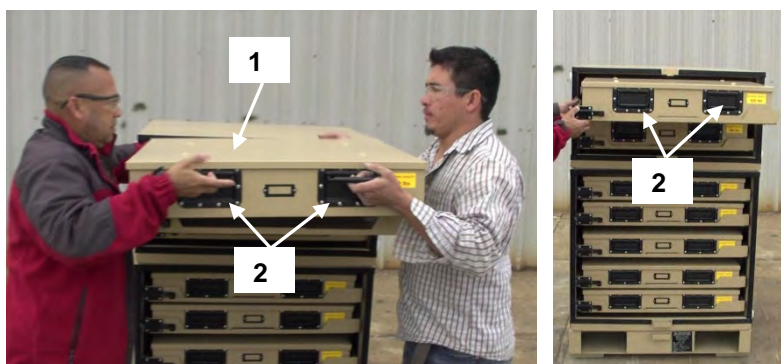
References

Chapter 2 WP 0007 00 & WP 0008 00

Equipment Condition

BOH SCM Drawer Repair

INSPECT, REPAIR

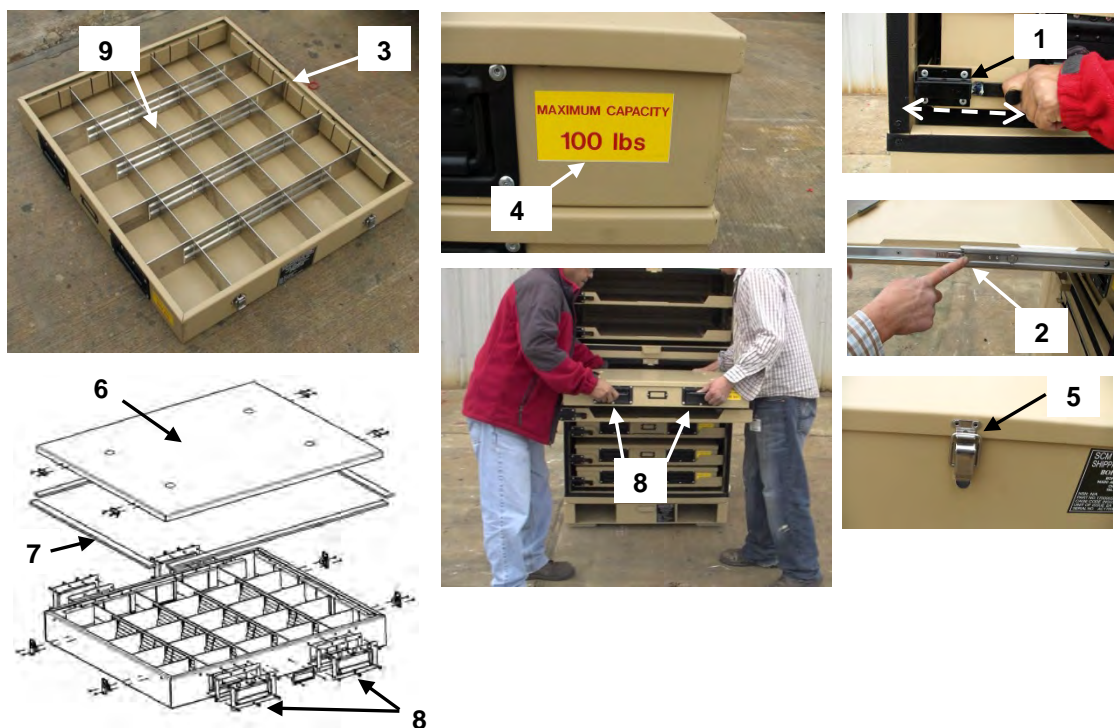


WARNING



Seek assistance when removing empty drawers (1). Always use the front and rear handles (2) to remove or install drawers. Always stack the drawers (1) away from the traffic area. Align the drawers (1) in a stack so the dimples (top and bottom) mate to prevent the drawers (1) from sliding off the stack. Failure to follow the procedure may cause injury to personnel or damage to the equipment.





1. Release the tray slam latch (1); pull out the drawer until the detent (2) is engaged.
2. With assistance, lift the drawer (3) out of the tray and place it on a stable flat surface.
3. Replace the warning label (4) if illegible.
4. Release the lid latches (5) on each side and remove the lid (6), replace if damaged; refer to rivet replacement, page 0019 00-1 and 00-2.
5. Inspect the lid seal (7) for damage or distortion.
6. Remove the seal (7) with the putty knife and if damaged, replace the seal (7) from the seal kit.
7. Inspect the front and rear handles (8), replace if damaged.
8. Remove the handle (8) rivets; refer to rivet replacement, page 0019 00-1 and 00-2.
9. Replace the handle (8) from the handle kit.
10. Replace the lid (6) if damaged.
11. Replace damaged drawer dividers (9).
12. Reinstall the drawer (3) in the tray, release the detent (2) and close the drawer (3) until the slam latch (1) is engaged.

WARNING



Assistance is required when lifting any SCM drawers (3). Failure to comply will cause injury and damage to equipment.

END OF WORK PACKAGE

UNIT MAINTENANCE INSTRUCTIONS
FPU® SYSTEMS OPERATION MANUAL
(INCLUDING REPAIR PARTS & SPECIAL TOOL LIST)
SMALL CABINET MODULE (SCM)
BOH FPU Field Pack-up Units

REPAIR OF THE SCM CABINET BASE

INITIAL SETUP:**Materiel/Parts**

UHMW Slide Tape Kit, Foot Pad Kit

Personnel Required

Two

Tools

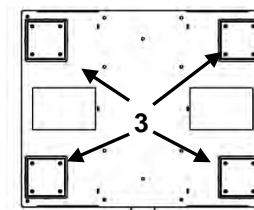
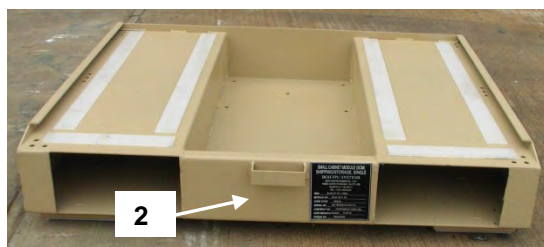
Welder's Tools, Putty Knife, Rags and Lubricant

References

Chapter 2 WP 0007 00 & WP 0008 00

Equipment Condition

BOH SCM Cabinet Base Repair

INSPECT, REPAIR**Bottom View****NOTE**

Disassembly of the entire SCM module (1) is required to gain access to the cabinet base (2) for repair.

CAUTION

Weld repairs should be performed by a certified welder.

1. Inspect the SCM module (1) for stability. Unstable SCM (1) indicates damage to the foot pads (3).
2. Disassemble the SCM module (1) to gain access to the cabinet base foot pads (3); review SCM disassembly, and follow chapter 2 pages WP 0007 00-1 to 00-4.
3. Repair the cabinet base (2) dents, weld cracks or damage.

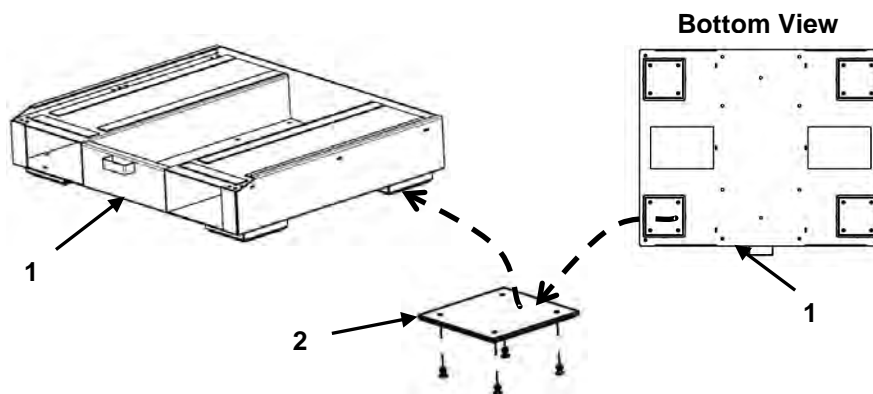
WARNING

Use proper eye protection when drilling, grinding or welding.

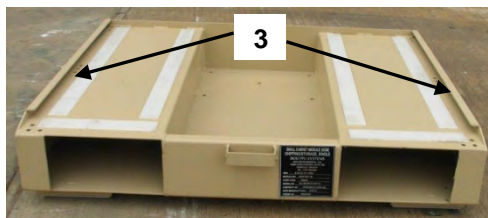
4. With assistance, turn over the cabinet base (1) to replace the foot pads (2).
5. Replace all four foot pads (2); refer to rivet replacement, page 0019 00-1 and 00-2.

WARNING

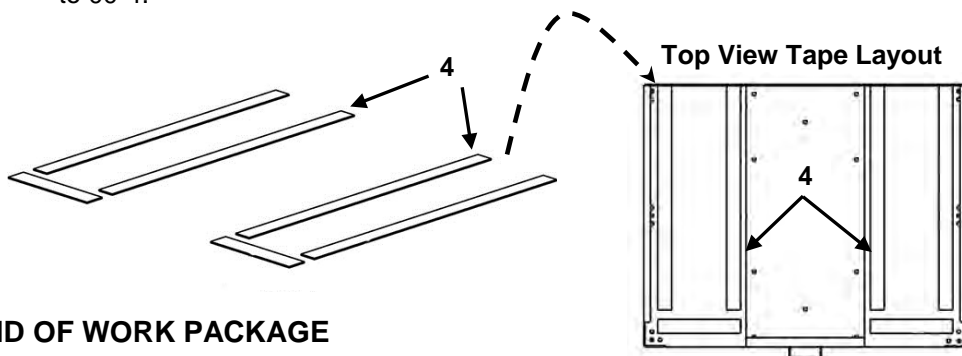
Assistance is required when lifting the SCM cabinet base (1). Failure to comply will cause injury and damage to equipment.



6. Inspect the cabinet base bezels (3), if the edges have dents, report the damage to maintenance for repair.
7. Replace damaged UHMW slide tape (4).



8. Use the putty knife to remove the slide tape (4), replace the tape from the kit.
9. Reassemble the SCM module; review SCM assembly, and follow chapter 2 pages WP 0008 00-1 to 00-4.



END OF WORK PACKAGE