

**FPU® SYSTEMS OPERATION MANUAL
(INCLUDING REPAIR PARTS & SPECIAL TOOL LIST)
FPU/BOH CARGO CONTAINERS MODELS
FPU-8-2, BOH-CARGO-12-1, BOH-CARGO-6 & FPU-20-1 & FPU-20-2
BOH FPU Field Pack-up Units**

Appendix C

FPU-8 CONTAINER CASTERS

This page was intentionally left blank

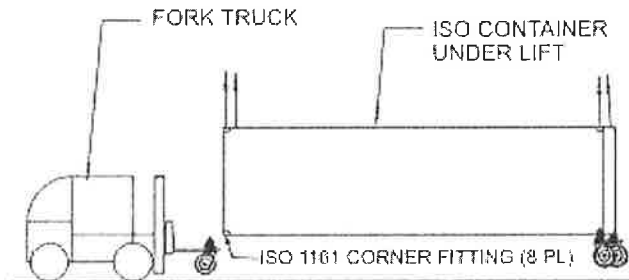
Tandemloc ISO Container Casters

1. Tandemloc Casterloc & 75UIT1030S Swivel Caster, 3000 LB Capacity, max. speed 5 mph.
2. Tandemloc Casterloc & 75UIT1030R Rigid Caster, 3000 LB Capacity, max. speed 5 mph.

Customer's detail for these assemblies:

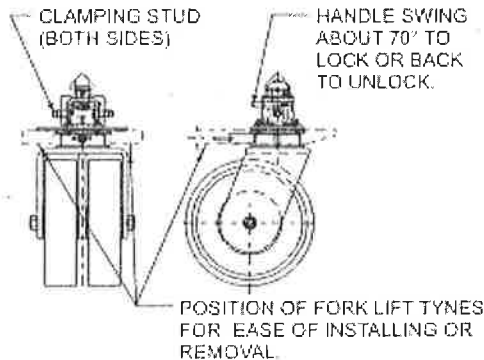
1. 75UIT1030S Swivel Caster, 3000 LB Capacity, 10" X 3" (2X EACH);
2. 75UIT1030R Rigid Caster P/IRN, 3000 LB capacity, 10" X 3" (2X EACH);
3. N25000D-2GA Casterloc 4.5 in. X 6in bolt pattern (4X EACH);
4. Tandemloc, Casterloc to caster bolts & hardware (kit 4X EACH).

Installation of Tandemloc ISO container casters:



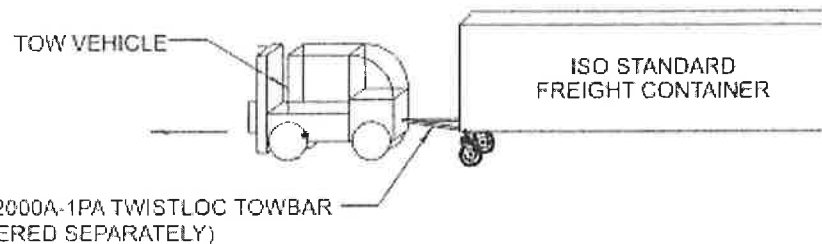
WARNING!

WHEN PLACING OR REMOVING CASTERS FROM CORNERS, USE A FORK TRUCK, AS SHOWN, TO RAISE OR LOWER THE CASTERLOC. PERSONNEL ARE TO STAND CLEAR OF ADJACENT AREAS TO AVOID INJURY IF ACCIDENTALLY DROPPED.



WARNING!

CASTERS CAN ALLOW LOADS TO MOVE ON UNLEVEL SURFACE & CRUSH PERSONNEL. LOCK SWIVEL CASTERS IN TOWING DIRECTION & CHOCK BEFORE DETACHING TOW VEHICLE. WHEN TOWING, SWIVELS ON TOW END SHOULD BE UNLOCKED AFTER CONNECTING TOW VEHICLE & BEFORE STARTING TOW.



Installing into standard ISO containers with ISO 1161 corner fittings at corners:

Lift container per international standard (ISO) 3874 or other means so that the bottom surface of the corner fittings are about 40" above the rolling surface.

With a fork lift truck raise the unlocked Casterloc into the bottom hole of each corner fitting & activate the twist lock with its handle. Before lowering the container, adjust the clamping stud to tighten connection (50 to 125 ft/ lb.) Notice - tightening must be done before lowering.



**MANUFACTURING
IN THE U.S.A.**

email: info@tandemloc.com

Sales Telephone: 1-800-258-7324 • Sales Fax: 1-800-892-3273

International Telephone: 252-447-7155 • International Fax: 252-447-5502

Tandemloc, Inc • 824 Highway 101 • (Fontana Boulevard) • Havelock, NC 28532

When all four Casterlocs are tight, lower the container to the level rolling surface.

The container may be raised a second time & retightened to the same torque after "settling", if desired.

Operation:

Moving standard freight containers on casters differs from moving containers on a chassis because the caster connection has less horizontal structural strength. For this reason, the speed of movement must be slower and the surface on which the caster rolls, must be reasonably smooth. Excessive forces in a horizontal direction can cause failure. For this reason, speed shall not exceed the limit shown for each caster.

Moving heavy containers on casters requires that its movement always be under control for direction and braking on both level and unlevel surfaces. A towing vehicle with tow bars affixed to the forward bottom corners is the optimum method of moving & braking. Personnel should remain clear of the roll path to prevent injury. Sufficient personnel should be utilized for good visibility.

Important note:

Lifting and handling ISO freight containers should be done by qualified personnel familiar with ISO standard 3874. This standard is available from the International Standards Organization (in the U.S.A.; American National Standards Institute (ANSI)).

Tandemloc standard ISO container caster models described at:

<https://www.tandemloc.com/mobilizing-container-casters-AC49000A.asp>